

Features

- Brass construction
- Deck-mount
- Variety of handle style options
- 7" (178 mm) high-arch non-diverter spout with slip-fit connection

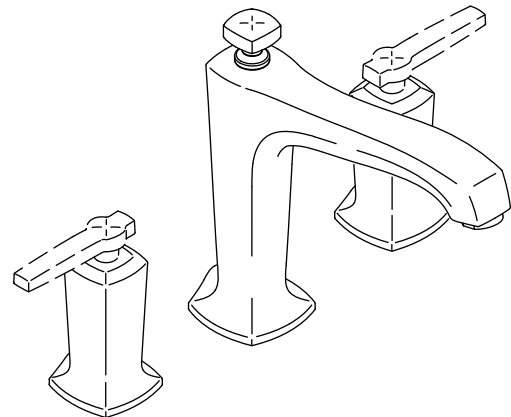
**BATH FAUCET TRIM
K-T16237
ALSO K-T16248**

ADA

Codes/Standards Applicable

Specified model meets or exceeds the following:

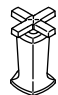

- ASME A112.18.1/CSA B125.1
- ICC/ANSI A117.1
- ADA

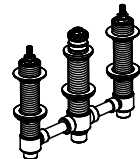
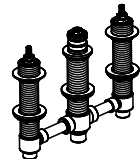


Colors/Finishes

- CP: Polished Chrome
- Other: Refer to Price Book for additional colors/finishes

Specified Model

Model	Description	 ADA	 ADA
K-T16237-3	With cross handles	<input type="checkbox"/> CP <input type="checkbox"/> Other _____	
K-T16237-4	With lever handles		<input type="checkbox"/> CP <input type="checkbox"/> Other _____
K-T16248-3	Cross handle kit	<input type="checkbox"/> CP <input type="checkbox"/> Other _____	
K-T16248-4	Lever handle kit		<input type="checkbox"/> CP <input type="checkbox"/> Other _____

Required Accessories*			
K-300-K	1/2" high-flow ceramic disc valve system	<input type="checkbox"/> NA	
K-301-K	3/4" high-flow ceramic disc valve system		<input type="checkbox"/> NA

* One valve system is required.

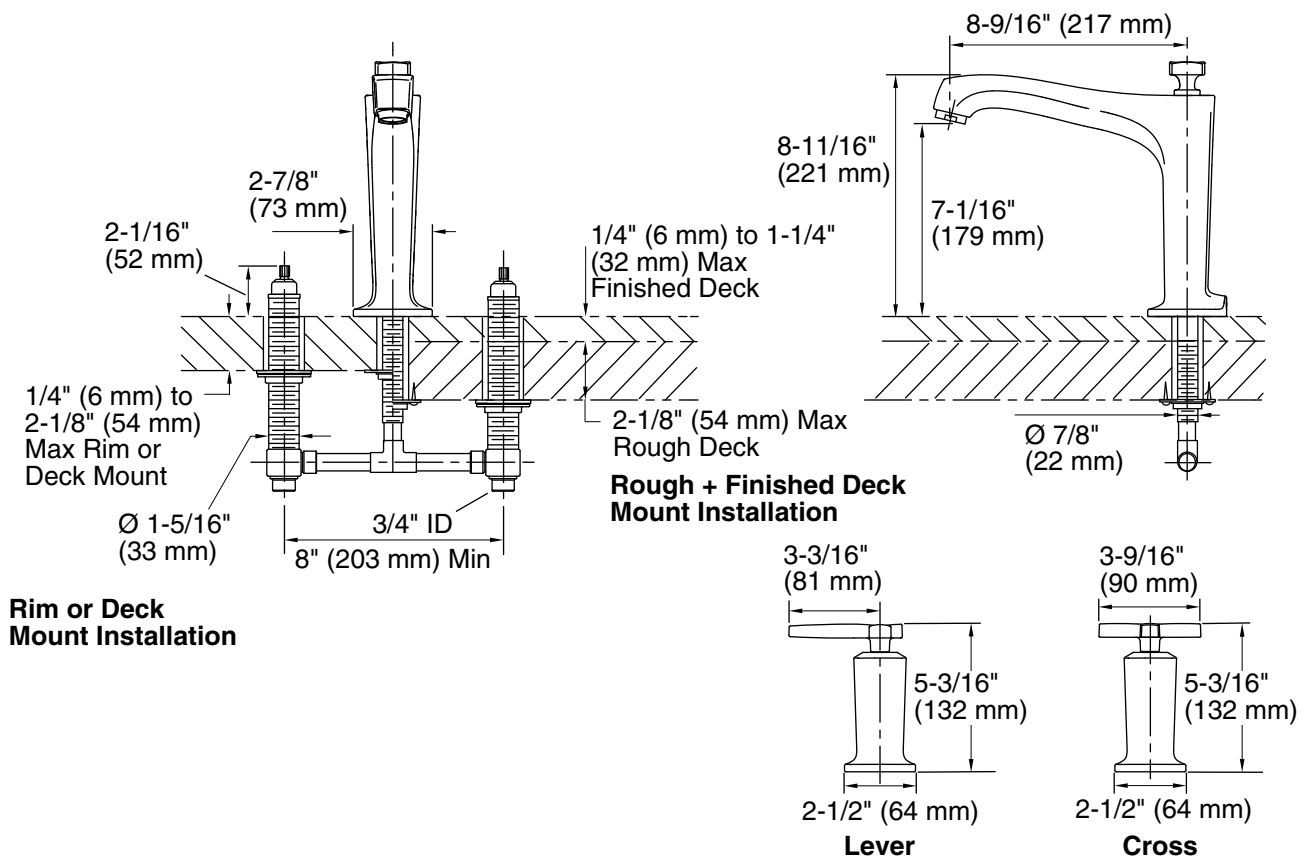
Product Specification

Two-handle deck-mount bath faucet trim shall be of brass construction. Faucet trim shall include a 7" (178 mm) high-arch non-diverter spout with slip-fit connection. Faucet trim shall have a variety of handle style options. Faucet trim shall be Kohler Model K-T_____-_____-_____ and valve system shall be Kohler Model K-____-K-NA.

MARGAUX™

Installation Notes

Install this product according to the installation guide.



Product Diagram