

Features

- Metal construction.
- One-piece, self-contained ceramic disc valve allows both volume and temperature control.
- Temperature memory allows faucet to be turned on and off at any temperature setting.
- High-temperature limit setting for added safety.
- 9" (229 mm) swing spout reach.
- Flexible connections for easy installation.
- Matching finish sidespray.
- 2.2 gal/min (8.3 l/min) maximum flow rate [max at 60 psi (4.14 bar)].

Optional Accessories

12001

1030920 Side Spray Deep Rough-In



ADA

CSA B651

Codes/Standards

ASME A112.18.1/CSA B125.1

NSF 61

DOE - Energy Policy Act 1992

ADA

ICC/ANSI A117.1

CSA B651

All applicable US Federal and State material regulations

KOHLER® Faucet Lifetime Limited Warranty

See website for detailed warranty information.

Available Color/Finishes

Color tiles intended for reference only.

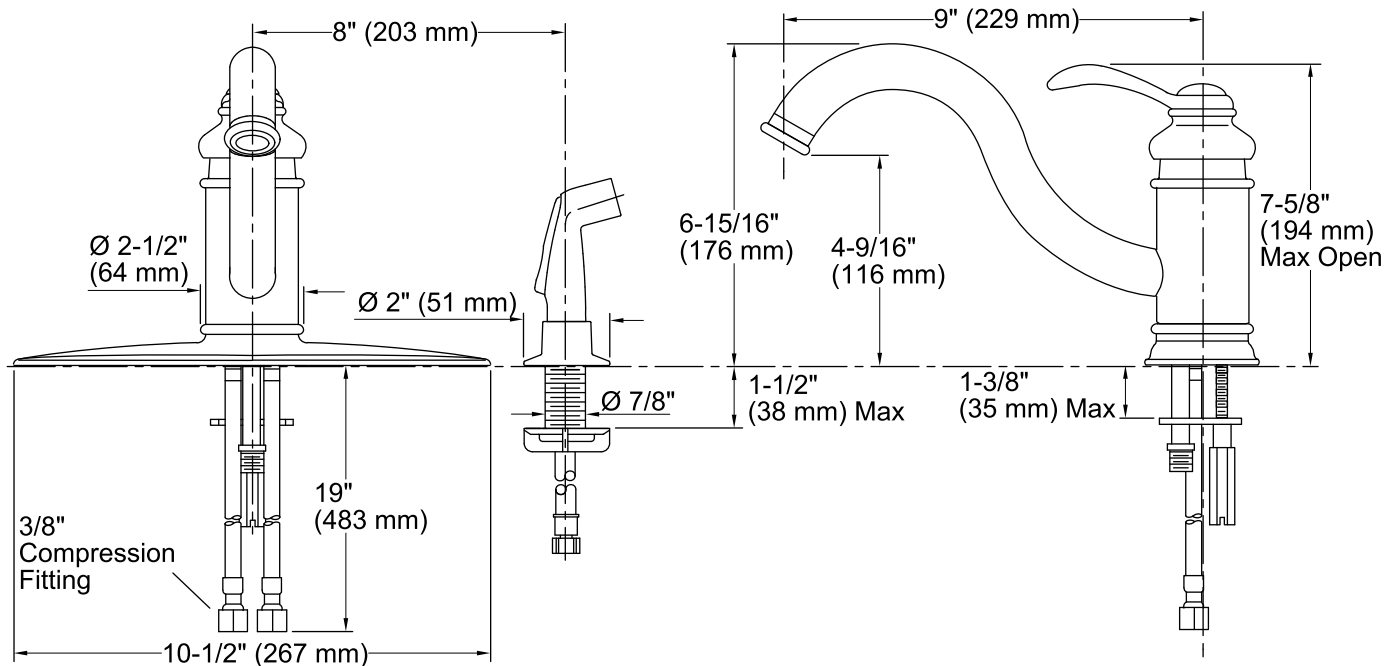
Color	Code	Description
-------	------	-------------



CP Polished Chrome



BN Vibrant® Brushed Nickel



Technical Information

All product dimensions are nominal.

Spout reach: 9" (229 mm)

Faucet:

Flow rate: 2.2 gal/min (8.3 l/min)

Pressure: 60 psi (4.1 bar)

Notes

Install this product according to the installation guide.

ADA, CSA B651 compliant when installed to the specific requirements of these regulations.