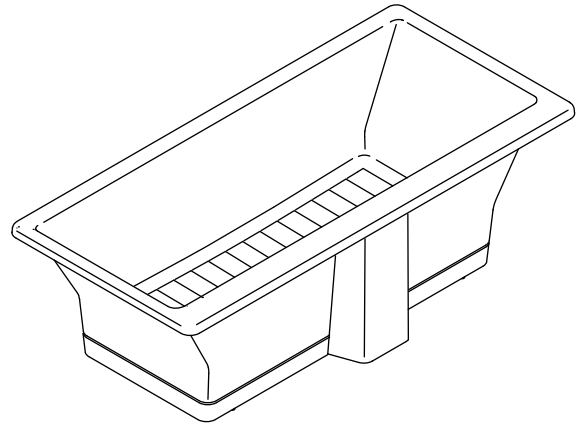


### Features

- Cast iron with Safeguard® finish
- Less all trim
- Freestanding bath with Float installation
- Slotted overflow increases bathing depth
- Includes 1 wooden Float, 4 cast iron adjustable feet, and 1 wooden overflow/drain shroud
- 66-15/16" (1700 mm) x 31-1/2" (800 mm) x 22-1/16" (560 mm)

### FREESTANDING BATH K-819



### Codes/Standards Applicable

Specified model meets or exceeds the following:

- ASME A112.19.1/CSA B45.2

### Colors/Finishes

- 0: White

### Accessories

- CP: Polished Chrome
- Other: Refer to Price Book for additional colors/finishes

### Specified Model

Model	Description	Colors/Finishes	
K-819-F62	Freestanding bath with Brilliant Blanc Float accessories	<input type="checkbox"/> 0	
K-819-F63	Freestanding bath with Brilliant Ash Float accessories	<input type="checkbox"/> 0	
Required Accessories			
K-7271	Clearflo slotted overflow brass bath drain	<input type="checkbox"/> CP	<input type="checkbox"/> Other _____
K-7272	Clearflo slotted overflow bath drain – PVC pipe	<input type="checkbox"/> CP	<input type="checkbox"/> Other _____

### Product Specification

The bath shall be made of cast iron with Safeguard finish. Product shall be 66-15/16" (1700 mm) in length, 31-1/5" (800 mm) in width, and 22-1/16" (560 mm) in height. Bath shall be freestanding bath with Float installation. Product shall feature slotted overflow which increases bathing depth. Bath shall include 1 wooden Float, 4 cast iron adjustable feet, and 1 wooden overflow/drain shroud. Bath shall be less all trim. Bath shall be Kohler Model K-819-\_\_\_\_-\_\_\_\_.

## Technical Information

Fixture*:	
Bathing well:	
Basin area, top	62-1/2" (1588 mm) x 24-3/4" (629 mm)
Basin area, bottom	49" (1245 mm) x 22" (559 mm)
Weight	365 lbs (165.5 kg)
To overflow:	
Water depth	15-1/4" (387 mm)
Capacity	75 gal (284 L)
* Approximate measurements for comparison only.	

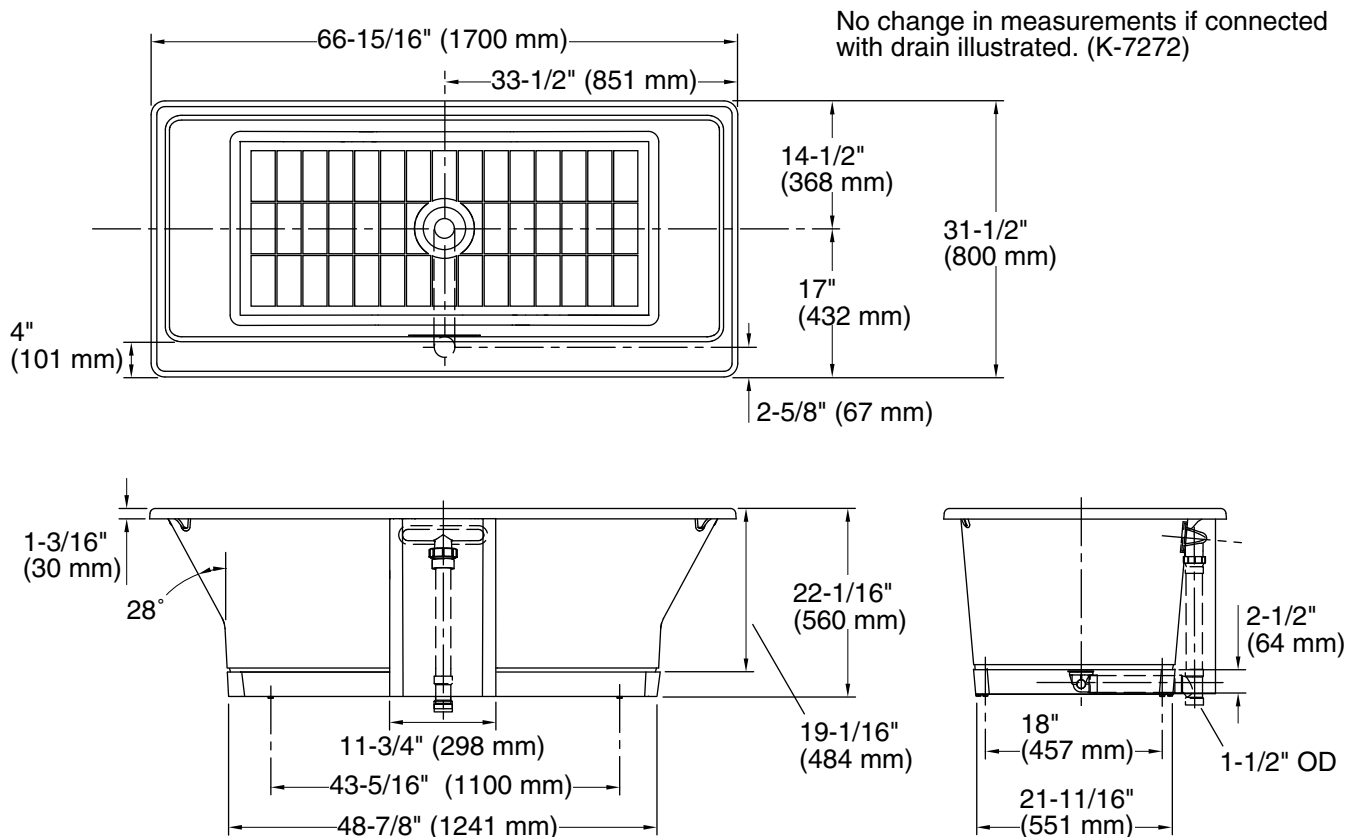
## Installation Notes

Install this product according to the installation guide.

Floor support under bath must provide for a minimum of 70 lbs/square foot (342 kg/square meter) loading.

Cast iron baths are extremely heavy, making some installations difficult.

Height measurements vary due to levelling of the cast iron adjustable feet. Dimensions shown are minimum.



## Product Diagram