

## Features

- Single-speed whirlpool offers performance and value, with 6 fully adjustable jets.
- Hydromassage flow and direction can be controlled at each jet.
- Spacious design accommodates up to two bathers.
- Corner layout minimizes footprint without compromising bathing area.
- Integral faucet deck.

## Material

- KOHLER ExoCrylic material offers 30% lighter product weight for easier installation.\*
- 90% fewer VOCs\* (volatile organic compounds) produced during manufacturing.
- \*Compared to KOHLER® Brand Acrylic FRP

## Hydrotherapy

- Whirlpool

## Installation

- Drop-in

## Components

Additional included component/s: Color matched jets.






## Codes/Standards

ASME A112.19.7/CSA B45.10  
UL 1795

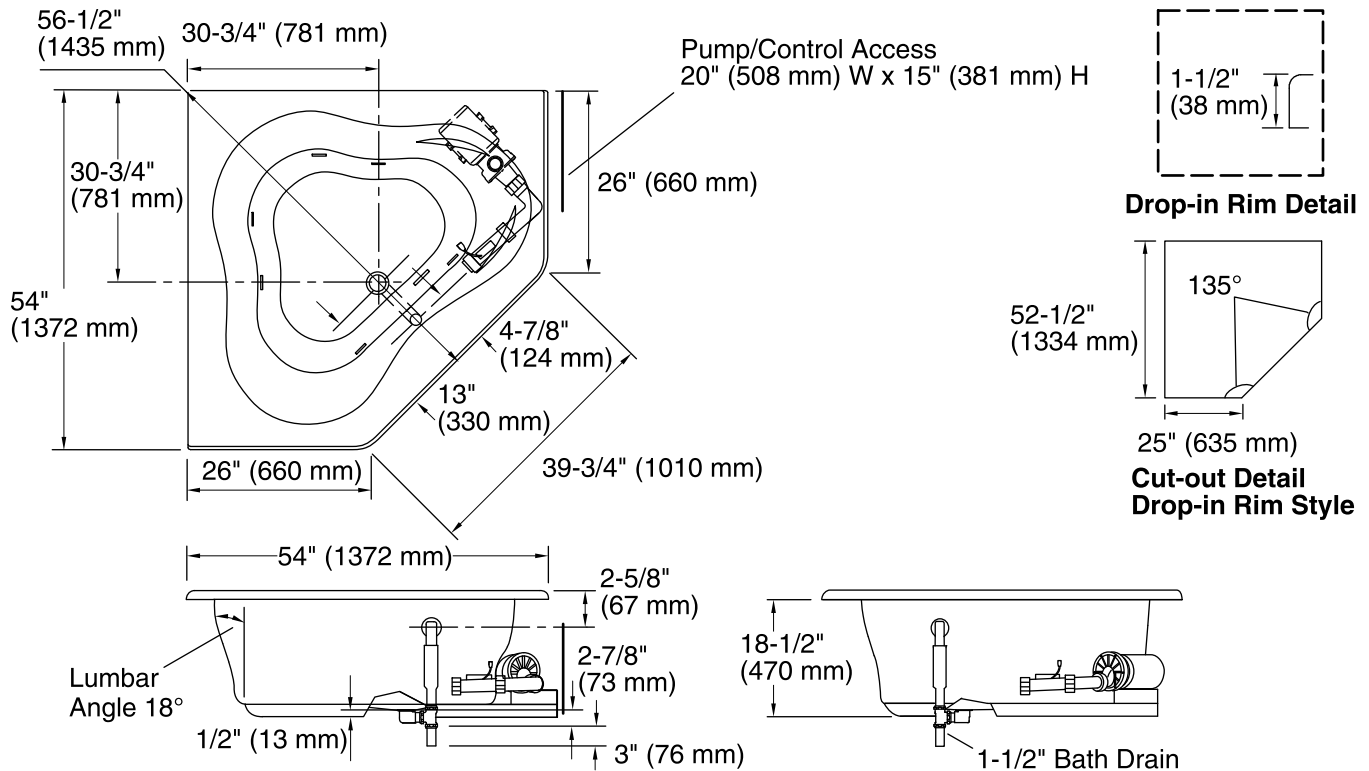
See website for detailed warranty information.

## Available Color/Finishes

*Color tiles intended for reference only.*

| Color  | Code | Description |
|--|------|-------------|
|  | 0    | White       |
|  | 96   | Biscuit     |
|  | 47   | Almond      |

No change in measurements if connected with drain illustrated. (K-11677)



### Required Electrical Service

One dedicated circuit required, protected with Class A Ground-Fault Circuit-Interrupter (GFCI) or Residual Current Device (RCD).

Pump: 120 V, 15 A, 60 Hz

### Technical Information

All product dimensions are nominal.

Installation: Drop-in  
 Drain location: Center  
 Basin area, bottom: 44" x 36" (1118 mm x 914 mm)  
 Basin area, top: 56" x 43" (1422 mm x 1092 mm)  
 Weight: 65 lbs (29.5 kg)  
 Minimum floor load: 36 lbs/ft<sup>2</sup> (175.8 kg/m<sup>2</sup>)  
 Water depth: 15" (381 mm)  
 Water capacity: 76 gal (287.7 L)  
 Electrical rating: Pump: 120 V, 7.5 A, 60 Hz

### Notes

Install this product according to the installation guide.

Locate the outlet behind the whirlpool and within 24" (610 mm) of the pump.