

Features

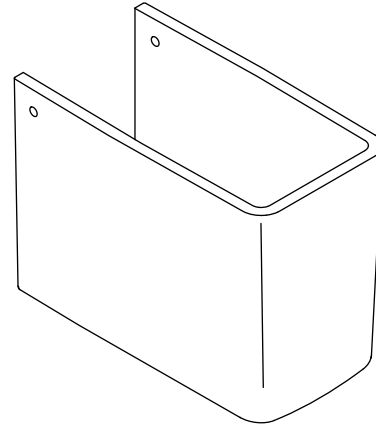
- Fireclay
- Intended for use with Reve bathroom sinks [K-5026, K-5027]

SHROUD AND PEDESTAL K-5031 ALSO K-5032

Codes/Standards Applicable

Specified model meets or exceeds the following:

- ASME A112.19.2/CSA B45.1



Colors/Finishes

- 0: White
- Other: Refer to Price Book for additional colors/finishes

Specified Model

Model	Description	Colors/Finishes	
K-5031	Shroud (shown)	<input type="checkbox"/> 0	<input type="checkbox"/> Other _____
K-5032	Pedestal	<input type="checkbox"/> 0	<input type="checkbox"/> Other _____

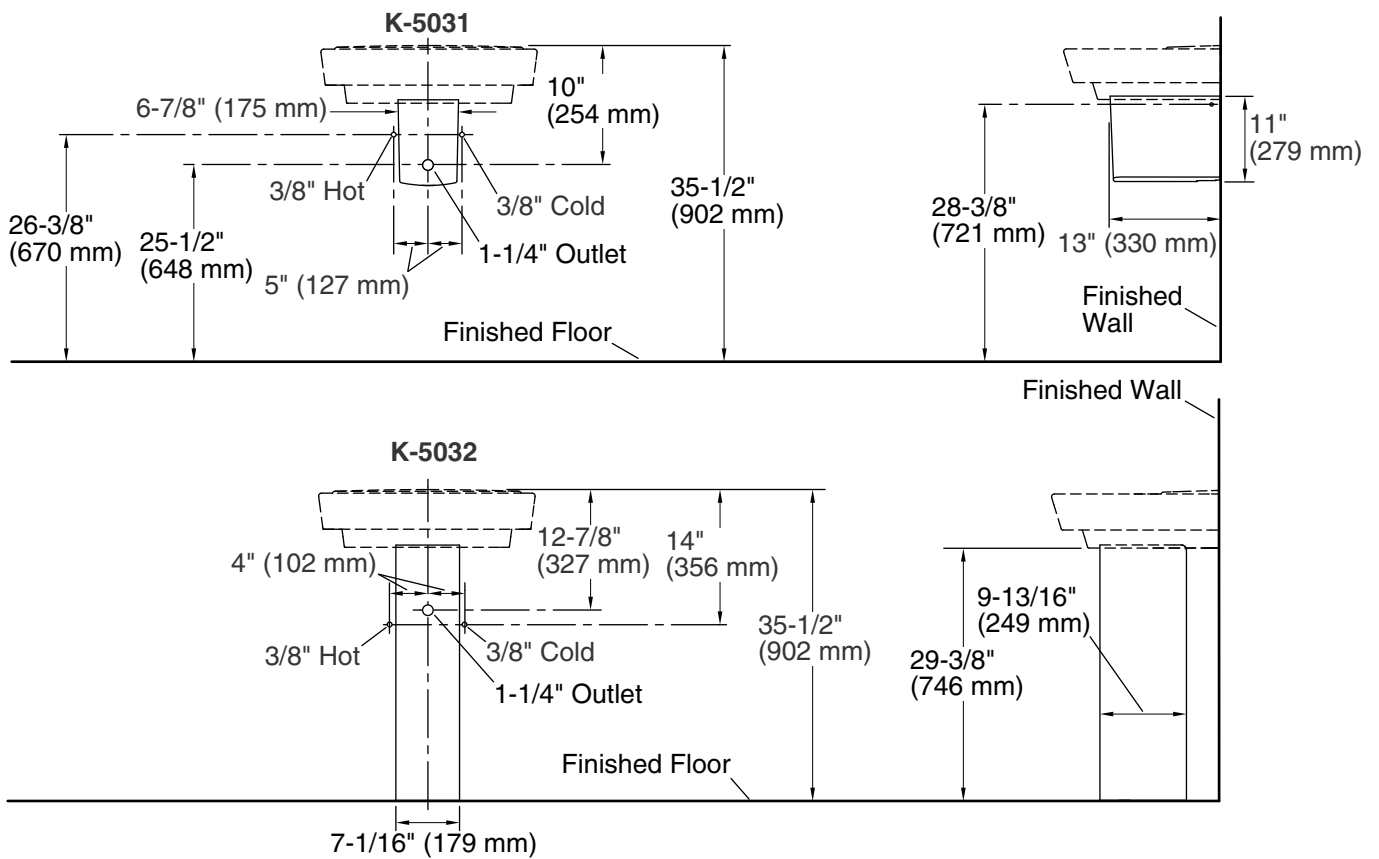
Recommended Bathroom Sinks			
K-5026-1	Bathroom Sink – 39-3/8" (1000 mm) length, single-hole	<input type="checkbox"/> 0	<input type="checkbox"/> Other _____
K-5026-8	Bathroom Sink – 39-3/8" (1000 mm) length, 8" (203 mm) centers	<input type="checkbox"/> 0	<input type="checkbox"/> Other _____
K-5027-1	Bathroom Sink – 23-5/8" (600 mm) length, single-hole	<input type="checkbox"/> 0	<input type="checkbox"/> Other _____
K-5027-8	Bathroom Sink – 23-5/8" (600 mm) length, 8" (203 mm) centers	<input type="checkbox"/> 0	<input type="checkbox"/> Other _____

Product Specification

The shroud and pedestal shall be made of fireclay. Product is intended for use with Reve bathroom sinks [K-5026, K-5027]. Shroud shall be Kohler Model K-5031-_____ and pedestal shall be Kohler Model K-5032-_____.

Installation Notes

Install this product according to the installation guide.



Product Diagram