

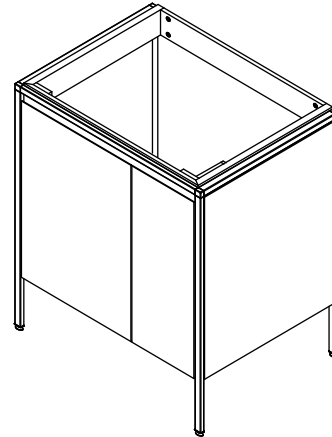
Features

- Durable melamine surfaces on interior and exterior of cabinet
- Durable silver metallic powder coated metal finishes
- Easy to clean surfaces
- 25" (635 mm) x 22" (559 mm) x 31-1/2" (800 mm)

Codes/Standards Applicable

Specified model meets or exceeds the following:

- CARB P1
- CARB Compliant materials
(ATCM 93120_93120.12 Title 17)



Colors/Finishes

- F65: Mantle

Accessories

- 0: White
- Other: Refer to Price Book for additional colors/finishes

Specified Model

Model	Description	Colors/Finishes	
K-2529	Vanity – 25" (635 mm) width	<input type="checkbox"/> F65	
Recommended Basin			
K-2956	Persuade bathroom sink	<input type="checkbox"/> 0	<input type="checkbox"/> Other ____

Product Specification

The vanity shall be 25" (635 mm) in width, 22" (559 mm) in depth, and 31-1/2" (800 mm) in height. Product shall be made of melamine surfaces on interior and exterior of cabinet. Product shall feature powder coated metal edges and easy to clean surfaces. Vanity shall be Kohler Model K-2529-_____.

