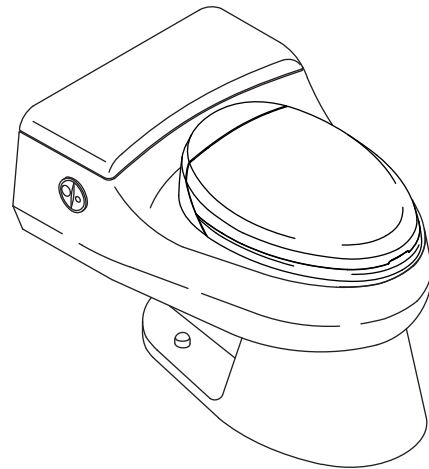


Features

- Power Lite® operating system (see electrical service requirements)
- Includes Twin Touch™ dual flush selector to select either 1 gal (3.8 L) flush or 1.4 gal (5.3 L) flush
- Continuously heated water with 2 positionable spray wands
- The spray wands feature adjustable water pressure, temperature, oscillate and pulsate functions
- Air blower and heated seat with adjustable temperature settings
- Automatic deodorization and night light
- Remote control with two programmable presets
- Energy save function
- Anti-microbial materials used
- Quick-release design
- 12" (305 mm) x 10" (254 mm) water area
- 30" (762 mm) x 19-1/2" (495 mm) x 21-1/2" (546 mm)

POWER LITE® TOILET WITH BIDET FUNCTIONALITY K-3607



Codes/Standards Applicable

Specified model meets or exceeds the following:

- ASME A112.19.2/CSA B45.1
- UL 1795
- ASME A112.4.2
- EPA WaterSense®

Colors/Finishes

- 0: White
- Other: Refer to Price Book for additional colors/finishes

Accessories

- CP: Polished Chrome
- PB: Vibrant® Polished Brass
- Other: Refer to Price Book for additional colors/finishes

Specified Model

Model	Description	Colors/Finishes	
K-3607	Elongated bowl toilet	<input type="checkbox"/> 0	<input type="checkbox"/> Other_____
Recommended Accessories			
K-7637	3/8" NPT angle supply with stop	<input type="checkbox"/> CP	<input type="checkbox"/> Other_____

Product Specification

The toilet shall be 30" (762 mm) in length, 19-1/2" (495 mm) in width and 21-1/2" (546 mm) in height. Toilet shall have a 12" (305 mm) rough-in. Toilet shall have a 12" (305 mm) x 10" (254 mm) water area. Toilet shall feature the Power Lite® operating system and Twin Touch™ dual flush selector to select either 1 gal (3.8 L) flush or 1.4 gal (5.3 L) flush. Toilet shall feature continuously heated water and two positionable spray wands with adjustable water pressure, temperature, oscillate and pulsate functions. Toilet shall have automatic deodorization and night light. Toilet shall have a heated seat with adjustable temperature settings. Bidet seat shall have a remote control with two programmable user presets, energy save function, anti-microbial materials in the seat and nozzles and a quick-release design for ease of cleaning. Toilet shall be Kohler Model K-3607-_____.

SAN RAPHAEL™

Optional Accessories

K-9433	Twin Touch™ dual flush selector (non-CP)	<input type="checkbox"/> PB	<input type="checkbox"/> Other_____
--------	--	-----------------------------	-------------------------------------

Technical Information

Fixture:	
Configuration	One-piece, elongated
Water per flush	1 gal (3.8 L) / 1.4 gal (5.3 L)
Passageway	2-1/8" (54 mm)
Water depth from rim	5-7/8" (149 mm)
Water area	12" (305 mm) x 10" (254 mm)
Seat post hole centers	5-1/2" (140 mm)
Pump	120 VAC, 8.5 A, 60 Hz
Minimum static pressure required	15 psi (103.4 kPa)

Included components:	
Tank cover	1055954
Bolt cap accessory pack	1013092
Toilet seat	K-4744

Twin Touch™ dual flush selector	81996
Tank accessory pack	84301
Pump	84153

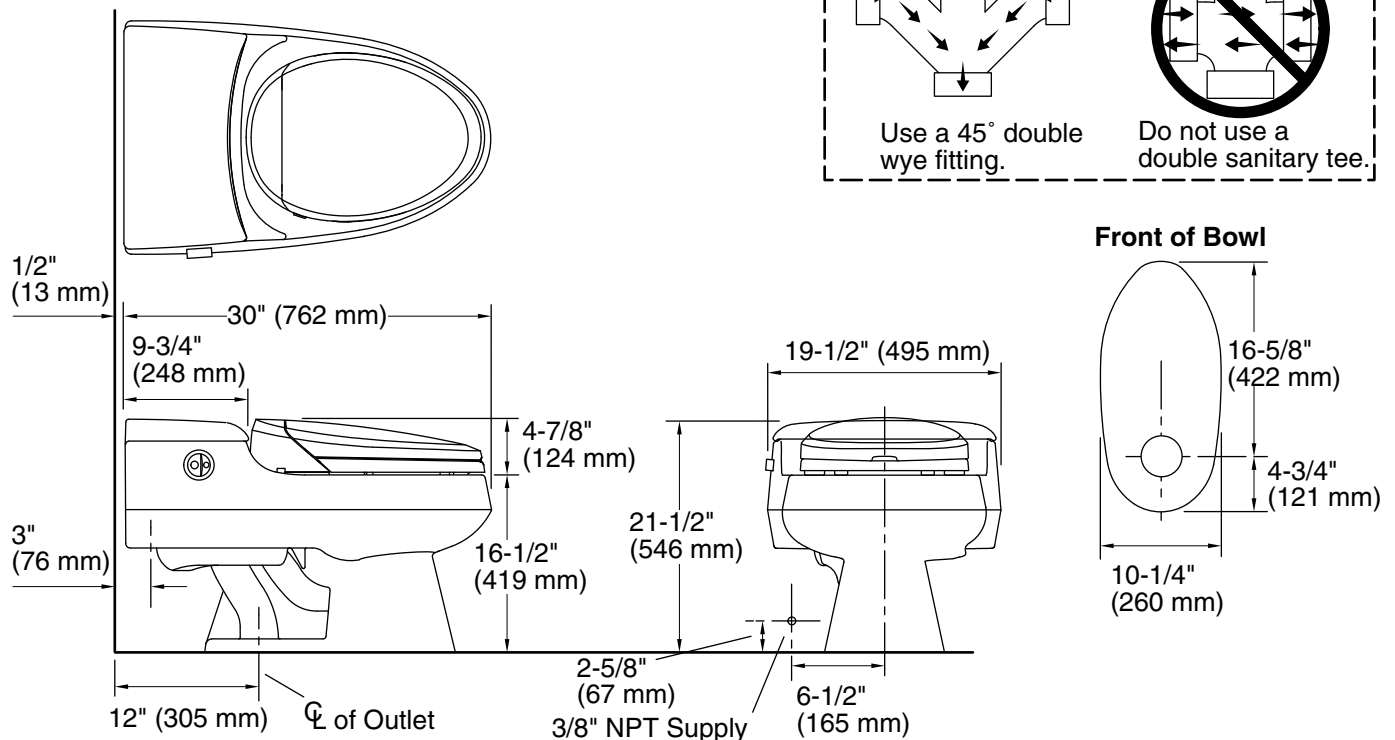
Required Electrical Service

Dedicated circuit required, protected with Class A Ground-Fault Circuit-Interrupter (GFCI):	
Receptacle	120 VAC, 15 A, 60 Hz

Installation Notes

Install this product according to the installation guide.

For back-to-back toilet installations: Use only a 45° double wye fitting.



Product Diagram

SAN RAPHAEL™ POWER LITE® TOILET WITH BIDET FUNCTIONALITY