

Features

- Vitreous china.
- Elongated bowl.
- Siphon jet.
- Wall-mount.
- With bedpan lugs.
- 1-1/2" top spud.
- 1.28 gpf (4.8 lpf) or 1.6 gpf (6 lpf) depending on flushometer specified.
- 10-1/2" (267 mm) x 9" (229 mm) water area.
- 26-1/2" (673 mm) x 16-1/2" (419 mm) x 13-1/4" (337 mm).
- Will replace K-4330 and K-4330-L bowls.

Recommended Accessories

K-4731-C Commercial Heavy-duty Toilet Seat
 K-4731-SC Commercial Heavy-duty Toilet Seat
 K-4731-GC Commercial Heavy-duty Toilet Seat
 K-10673 WAVE DC 0.5 GPF Urinal Flushometer
 K-10956 Tripoint™ DC 1.28 GPF WC Flushometer
 K-13517 Manual 1.28 GPF WC Flushometer
 K-10674 Wave DC 1.6 GPF WC Flushometer
 K-10957 Tripoint™ DC 1.6 GPF WC Flushometer
 K-13516 Manual 1.6 GPF WC Flushometer

Components

Additional included component/s: Spud.



ADA	CSA B651	OBC
-----	----------	-----

Codes/Standards




ASME A112.19.2/CSA B45.1
 DOE - Energy Policy Act 1992
 ADA
 ICC/ANSI A117.1
 CSA B651
 OBC

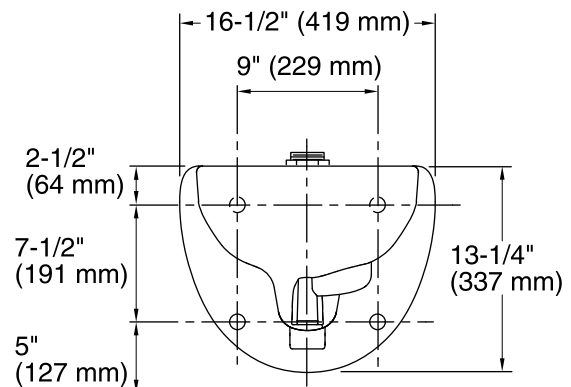
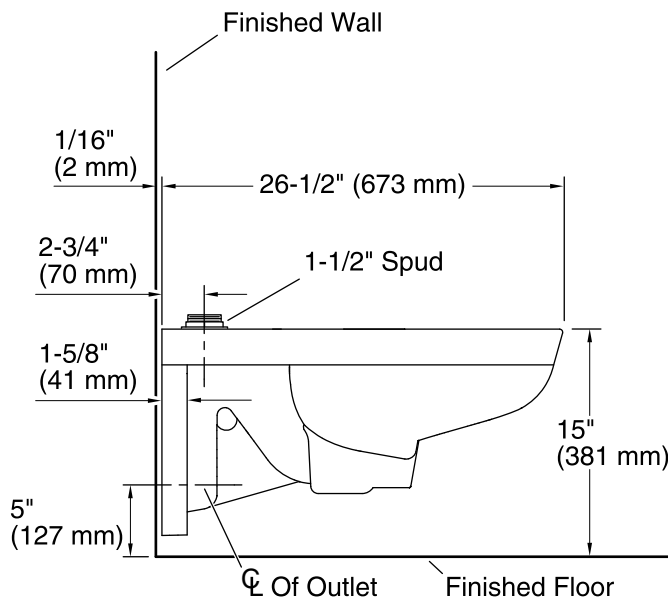
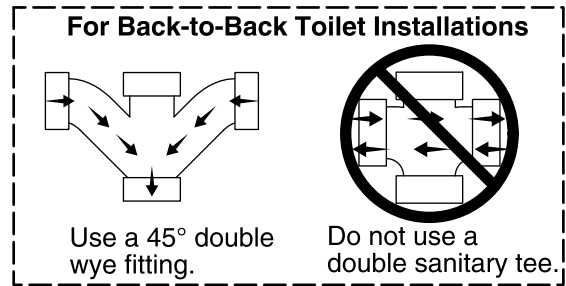
KOHLER® One-Year Limited Warranty

See website for detailed warranty information.

Available Color/Finishes

Color tiles intended for reference only.

Color	Code	Description
	0	White
	96	Biscuit
	47	Almond



Technical Information

All product dimensions are nominal.

- Bowl shape: Elongated front
- Spud size: 1-1/2", Inlet, Top
- Trap passageway: 2-1/8" (54 mm)
- Water surface size: 10-1/2" x 9" (267 mm x 229 mm)
- Rim to water surface: 5-1/4" (133 mm)
- Seat-mounting holes: 5-1/2" (140 mm)

Fixture Supply Requirements

- Min static pressure: 35 psi (241.3 kPa)
- Max static pressure: 80 psi (551.6 kPa)
- Min flowing pressure: 25 psi (172.4 kPa)
- Min flow rate: 25 gpm (94.6 lpm)

Notes

Install this product according to the installation guide.

Refer to manufacturer's instructions and local codes for flushometer requirements.

For back-to-back toilet installations: Use only a 45° double wye fitting.

ADA, OBC, CSA B651 compliant when installed to the specific requirements of these regulations.

The Model Plumbing Codes require the installation of elongated open-front toilet seats on public bathrooms.