

### Features

- Black tube.
- Articulating spout.
- Quarter-turn washerless ceramic disc valves.
- Integral sprayhead.
- For 8" (203 mm) or 16" (406 mm) centers.
- Variable spout reach from less than 2" (51 mm) to 6" (152 mm).
- Touch-activated drain with tailpiece and overflow.
- 1.5 gal/min (5.7 l/min) maximum flow rate [max at 60 psi (4.14 bar)].

### Material

- Metal and carbon fiber construction.
- Brass valve bodies.



ADA CSA B651 OBC

### Codes/Standards

ASME A112.18.1/CSA B125.1

NSF 61

NSF 372

DOE - Energy Policy Act 1992

EPA WaterSense®

ADA

ICC/ANSI A117.1

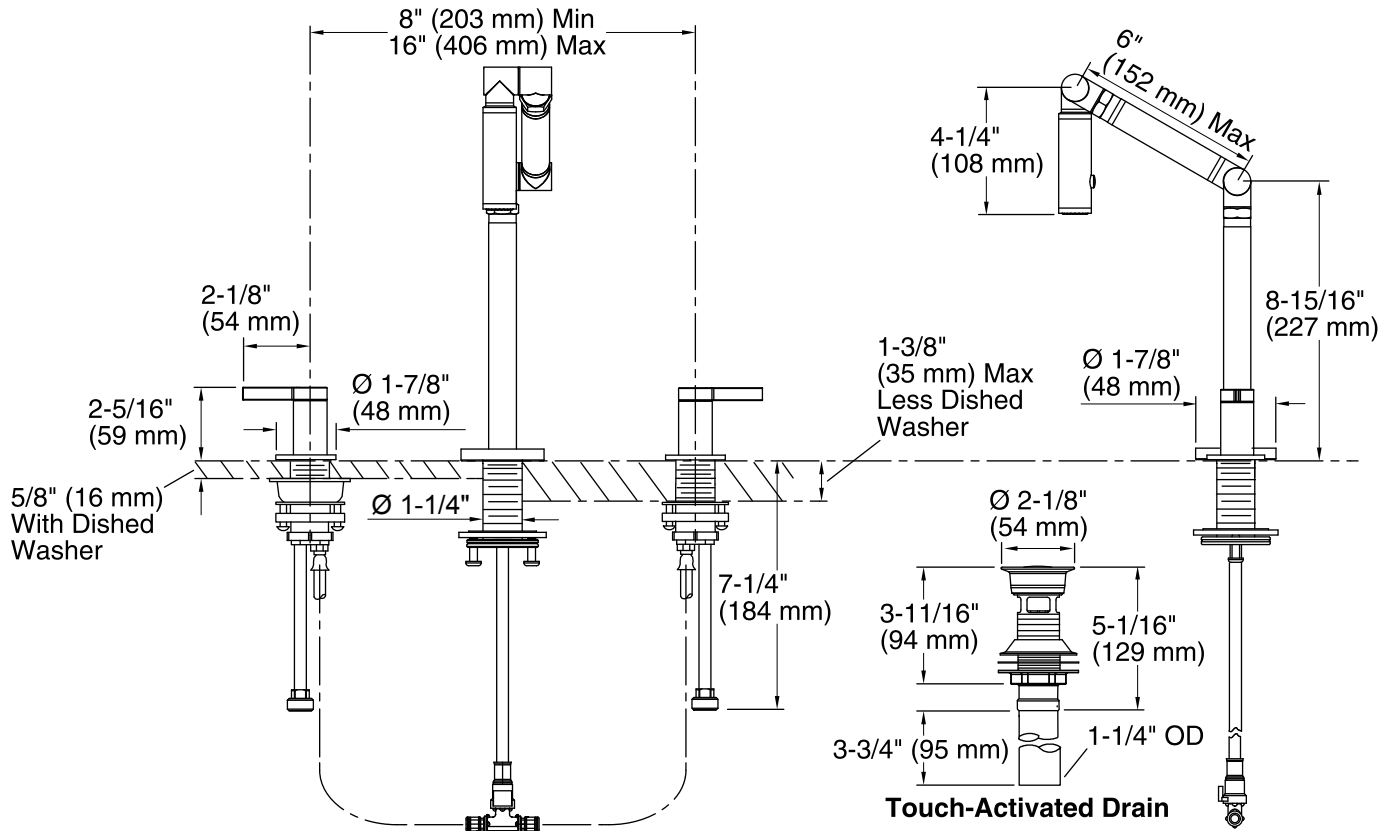
CSA B651

OBC

All applicable US Federal and State material regulations

### KOHLER® Faucet Lifetime Limited Warranty

See website for detailed warranty information.



### Technical Information

All product dimensions are nominal.

Drain included: YES

Drain with overflow: YES

Drain tailpiece included: YES

### Faucet:

Flow rate: 1.5 gal/min (5.7 l/min)

Pressure: 60 psi (4.1 bar)

### Notes

Install this product according to the installation guide.

ADA, OBC, CSA B651 compliant when installed to the specific requirements of these regulations.