

Features

- Articulating spout.
- Dual control wall-mounted.
- Silver tube.
- 1.5 gal/min (5.7 l/min) maximum flow rate [max at 60 psi (4.14 bar)].

Material

- Metal and carbon fiber construction.

Required Accessories

K-410-K Wall-mount Valve

Optional Accessories

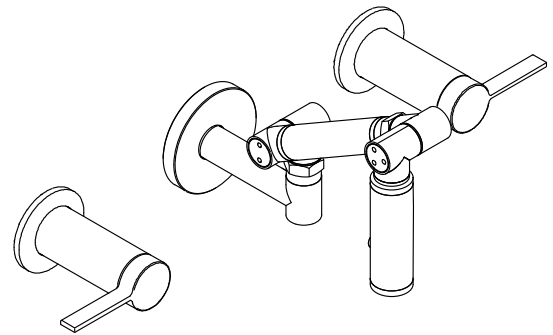
1153934

K-7114

K-7124

K-7127

K*7129



ADA

Codes/Standards

ASME A112.18.1/CSA B125.1

NSF 61

NSF 372

DOE - Energy Policy Act 1992

EPA WaterSense®

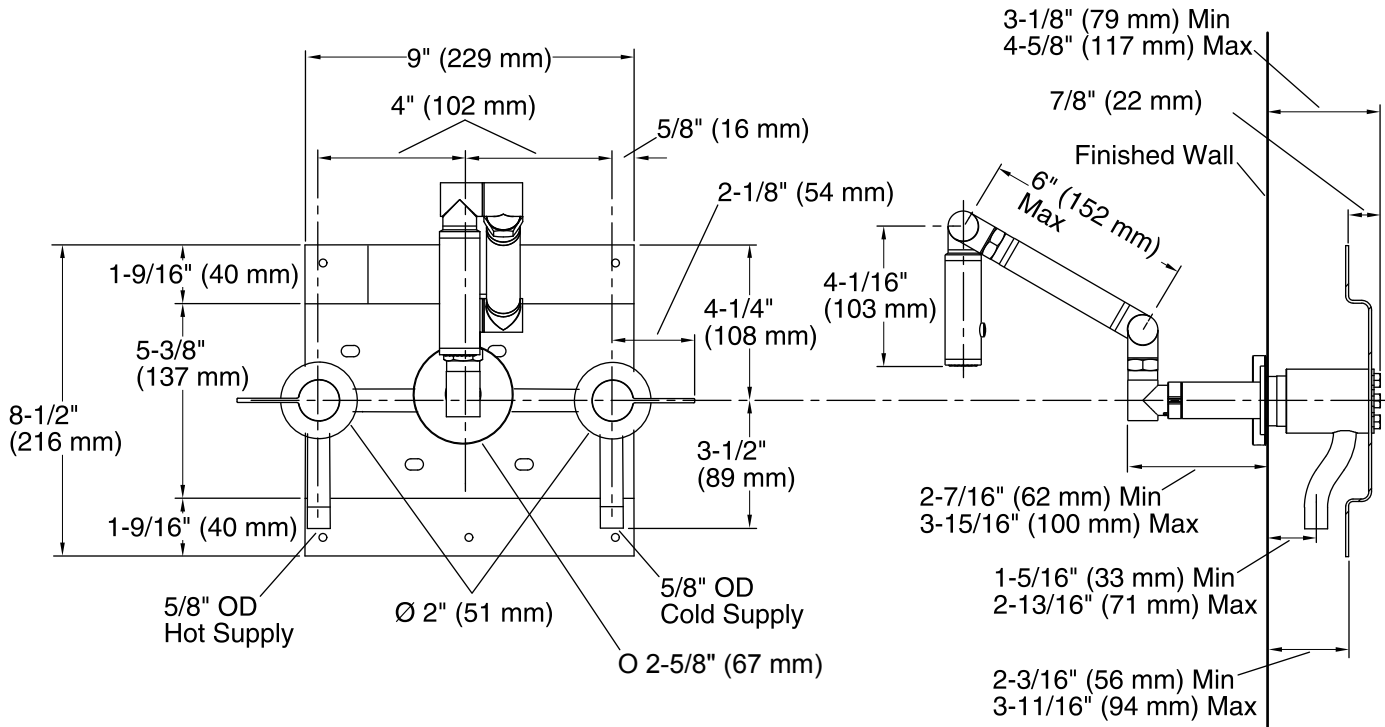
ADA

ICC/ANSI A117.1

All applicable US Federal and State material regulations

KOHLER® Faucet Lifetime Limited Warranty

See website for detailed warranty information.



Technical Information

All product dimensions are nominal.

Faucet:

Flow rate: 1.5 gal/min (5.7 l/min)

Pressure: 60 psi (4.1 bar)

Notes

Install this product according to the installation guide.

Three 1-1/2" (38 mm) diameter holes are required for the spout and handles.

ADA compliant when installed to the specific requirements of these regulations.