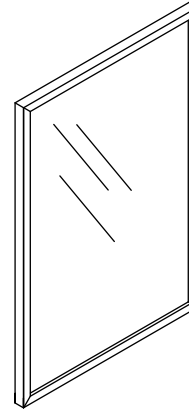


MIRROR K-2746

Features

- Frame of mahogany solids (F25 Sapele finish)
- Frame of birch solids and painted substrate (F44 Lily finish)
- Frame of birch solids (F80 Cocoa finish)
- Vertical wall-mount installation
- Includes hanger
- Coordinates with Evandale vanities
- 23-1/2" (597 mm) x 32" (813 mm) x 1" (25 mm)



Codes/Standards Applicable

Specified model meets or exceeds the following:

- CARB P2

Colors/Finishes

- F25: Sapele
- F44: Lily
- F80: Cocoa

Specified Model

Model	Description	Colors/Finishes		
K-2746	Mirror – vertical wall-mount	<input type="checkbox"/> F25	<input type="checkbox"/> F44	<input type="checkbox"/> F80
Recommended Vanities				
K-2732	Evandale vanity, 30" (762 mm) width	<input type="checkbox"/> F25	<input type="checkbox"/> F44	<input type="checkbox"/> F80

Product Specification

The mirror shall be 23-1/2" (597 mm) in width, 32" (813 mm) in height, and 1" (25 mm) in depth. Mirror frame shall be made of mahogany solids (F25 Sapele finish), or birch solids and painted substrate (F44 Lily finish), or birch solids (F80 Cocoa finish). Mirror shall be for vertical-mount installation and include hanger. Mirror shall coordinate with Evandale vanities. Mirror shall be Kohler Model K-2746-_____.

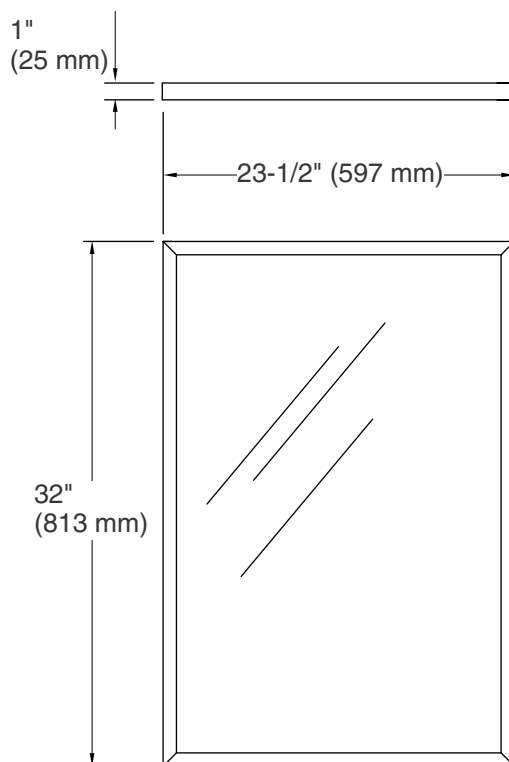
EVANDALE™

Installation Notes

Install this product according to the installation guide.

Select the type of fastener based on the wall material. A minimum 20 lb (9.07 kg) load bearing fastener is recommended.

Install the fastener to a stud to avoid possible property and product damage.



Product Diagram