

Features

- Blower motor with 300 W heater and electronic user control.
- Blower motor is supplied with a grounding-type plug-in cord.
- 120 BubbleMassage™ airjets.
- Integral tile flange.
- Integral apron with removable access panel.
- Molded lumbar supports.
- Left drain.
- 60" (1524 mm) x 32" (813 mm) x 21-1/4" (540 mm) with flange.

Material

- Acrylic

Installation

- Alcove installation.



Codes/Standards






ASME A112.19.7/CSA B45.10
CSA B45.5/IAPMO Z124
ASTM E162
ASTM E662
UL 1795

KOHLER® One-Year Limited Warranty

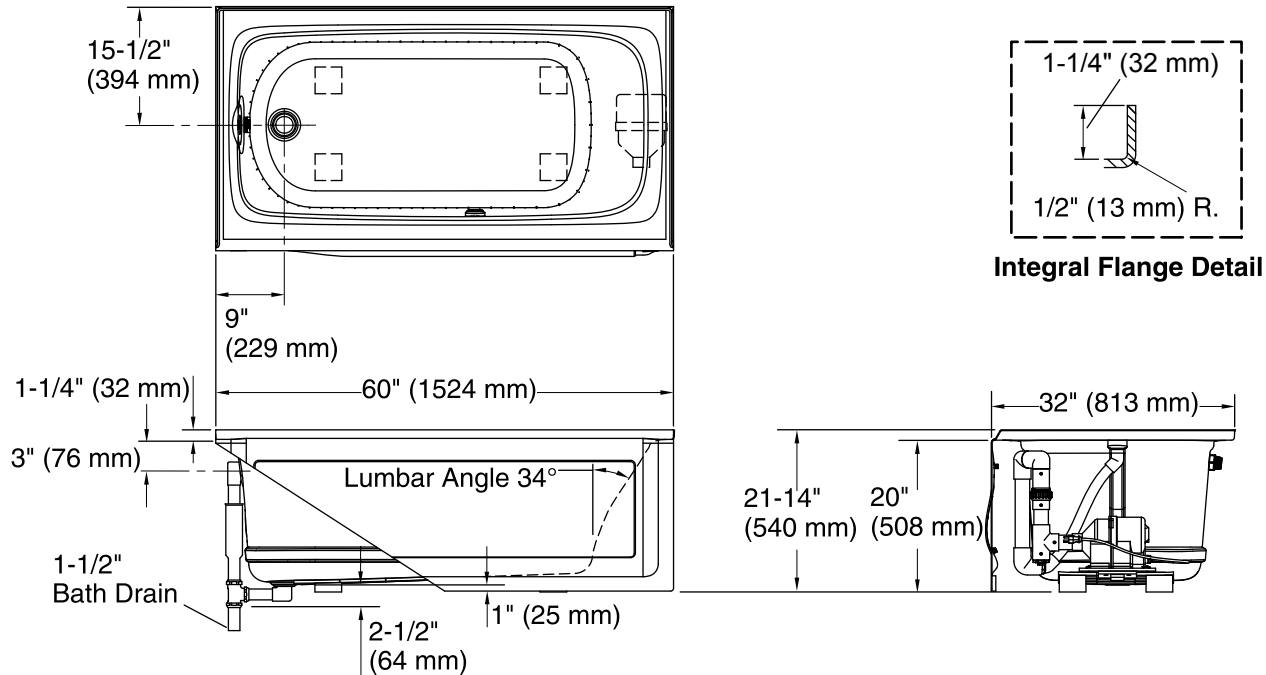
See website for detailed warranty information.

Available Color/Finishes

Color tiles intended for reference only.

Color	Code	Description
	0	White
	96	Biscuit
	47	Almond
	NY	Dune
	G9	Sandbar

No change in measurements if connected with drain illustrated. (K-11677)



Required Electrical Service

One dedicated circuit required, protected with Class A Ground-Fault Circuit-Interrupter (GFCI) or Residual Current Device (RCD).

Blower: 120 V, 15 A, 60 Hz

Technical Information

All product dimensions are nominal.

Installation: 3-Wall Alcove
 Drain location: Left
 Basin area, bottom: 45" x 22" (1143 mm x 559 mm)
 Basin area, top: 54" x 25" (1372 mm x 635 mm)
 Weight: 100 lbs (45.4 kg)
 Minimum floor load: 49 lbs/ft² (239.2 kg/m²)
 Water depth: 14" (356 mm)
 Water capacity: 60 gal (227.1 L)
 Electrical rating: Blower: 120 V, 5 A, 60 Hz, 300 W

Notes

Measure your actual product for roughing-in details.

Install this product according to the installation guide.

NOTICE: If the blower motor and check valve are relocated, the following two procedures are required: 1. Provide two access panels. Locate one access panel at the blower motor/control location and the other access panel at the control box. 2. Relocate the blower motor and the check valve together. Do not relocate one without the other.