

## Features

- 21-inch minimum base cabinet width.
- 16-gauge stainless steel.
- Under-mount.
- Single bowl.
- 9-inch depth.
- With SilentShield® sound-absorption technology.
- 18" (457 mm) x 18" (457 mm)

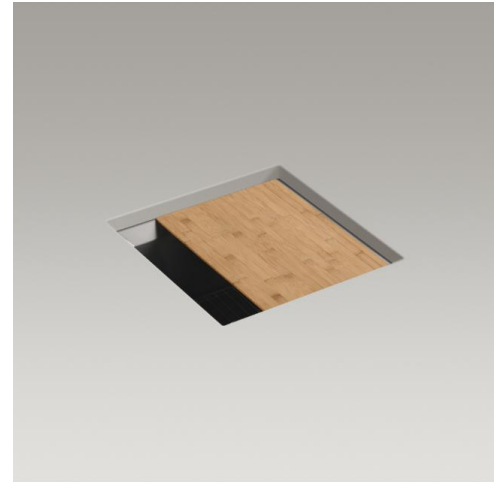
## Optional Accessories

K-8801 Sink Strainer

## Components

Product includes:

- K-3142 Sink Rack
- 91915 Hardware Kit
- K-3140 Cutting Board



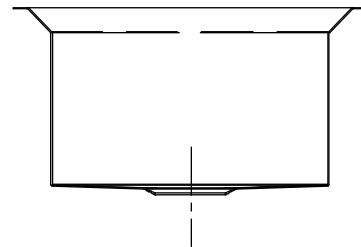
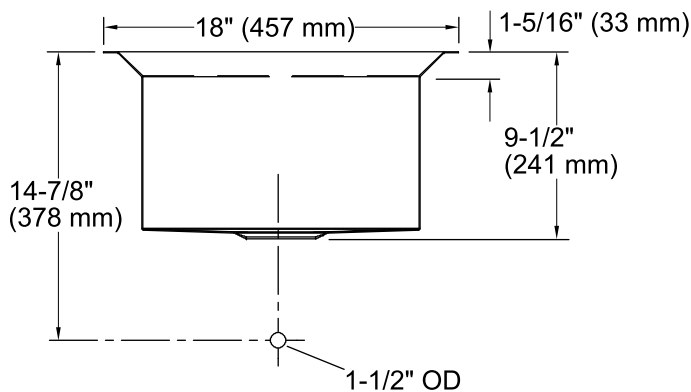
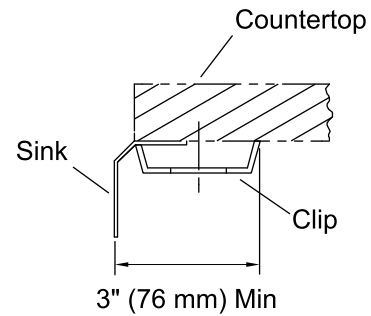
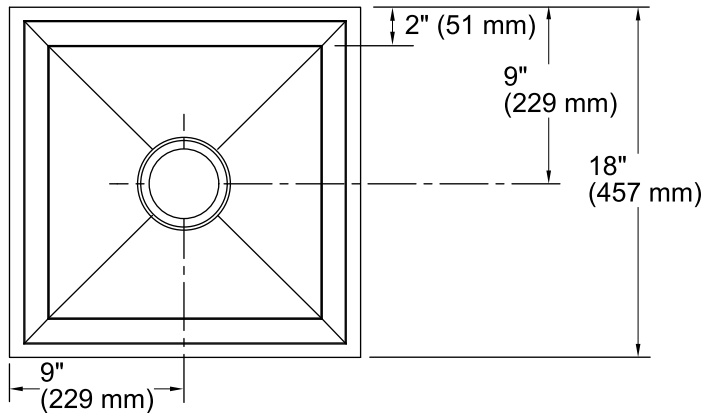
**ADA**

## Codes/Standards

ASME A112.19.3/CSA B45.4  
ADA  
ICC/ANSI A117.1

## Lifetime Limited Warranty for KOHLER® Stainless Steel Sinks

See website for detailed warranty information.



## Technical Information

All product dimensions are nominal.

Bowl configuration:	Single
Installation:	Under-mount
Bowl area (Only)	Length: 14" (356 mm) Width: 14" (356 mm) Bowl depth: 9-3/16" (233 mm)
Drain hole:	3-5/8" (92 mm)
Template:	Under-mount, 1022021-7, required, included

## Notes

Install this product according to the installation guide.

Allow a minimum of 3" (76 mm) clearance around the sink rim for clip attachment.

ADA compliant when installed to the specific requirements of these regulations.