

#### Features

- Solid-brass construction for durability.
- KOHLER finishes resist corrosion and tarnish.
- For use with select Memoirs one-piece toilets.
- Coordinates with other products in the Memoirs Collection.



ADA

#### Codes/Standards

ASME A112.18.1/CSA B125.1

ADA






ICC/ANSI A117.1

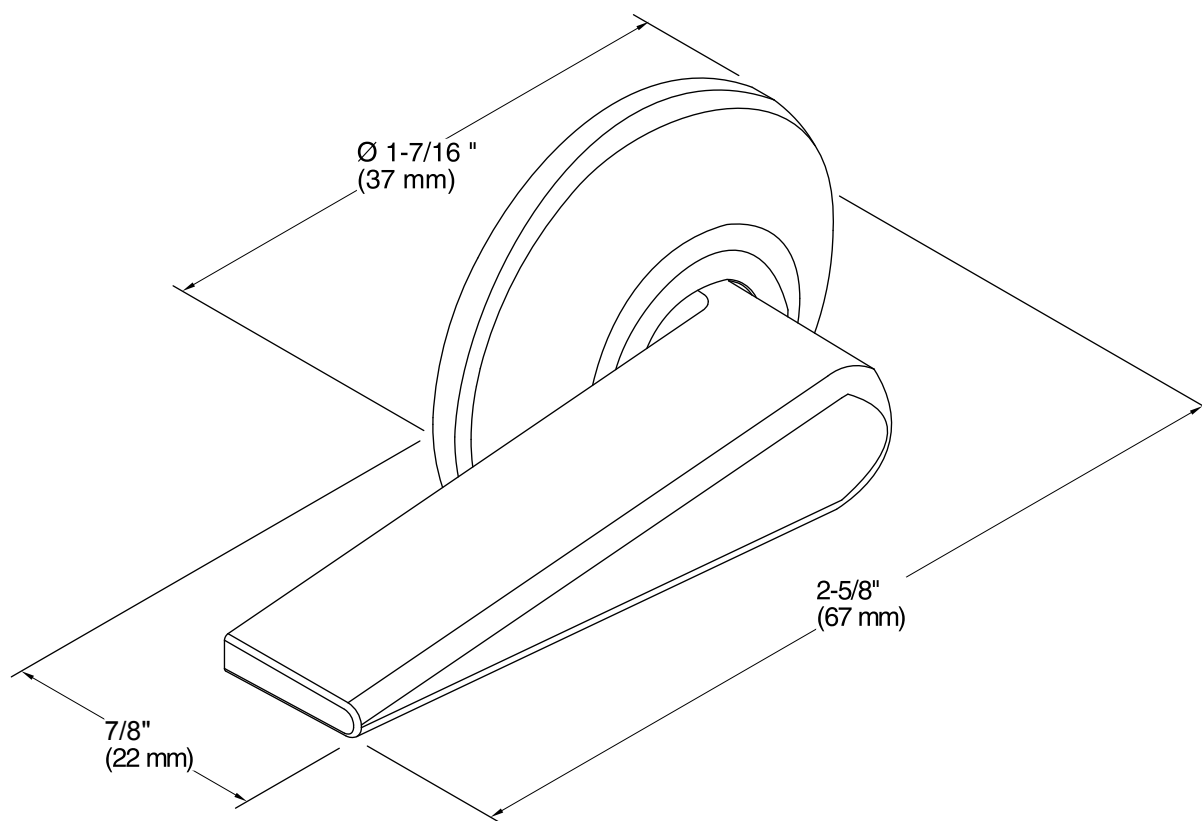
#### KOHLER® One-Year Limited Warranty

See website for detailed warranty information.

#### Available Color/Finishes

*Color tiles intended for reference only.*

Color	Code	Description
	SN	Vibrant® Polished Nickel
	G	Brushed Chrome
	BN	Vibrant® Brushed Nickel
	BV	Vibrant® Brushed Bronze
	2BZ	Oil-Rubbed Bronze
	VNT	



#### Technical Information

All product dimensions are nominal.

#### Notes

ADA compliant when installed to the specific requirements of these regulations.