

## Features

- Brass construction.
- Brass valve bodies.
- Cast brass waterway.
- Quarter-turn washerless ceramic disc valves.
- Flexible supplies.
- Pop-up drain with lift rod and tailpiece.
- Oval handles.
- Stationary spout.
- Single-hole mounting.
- 4-13/16" (122 mm) spout reach.
- 1.5 gal/min (5.7 l/min) maximum flow rate [max at 60 psi (4.14 bar)].



## Codes/Standards

ASME A112.18.1/CSA B125.1

NSF 61

NSF 372

DOE - Energy Policy Act 1992

EPA WaterSense®

All applicable US Federal and State material regulations

## KOHLER® Faucet Lifetime Limited Warranty

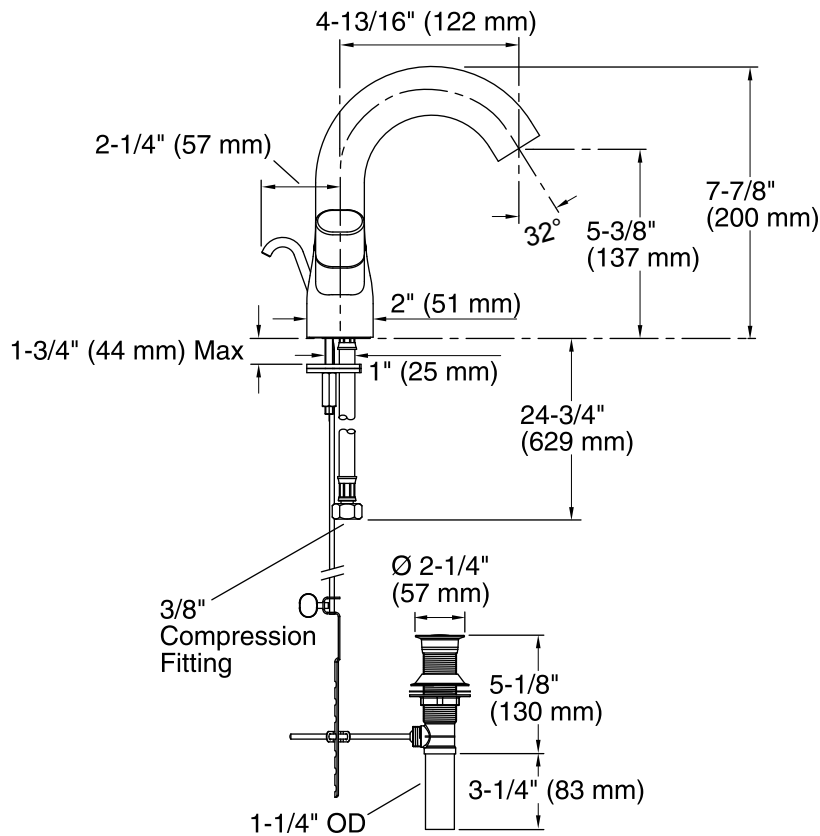
See website for detailed warranty information.

## Available Color/Finishes

*Color tiles intended for reference only.*

### Color Code Description

● CP Polished Chrome



**Technical Information**

All product dimensions are nominal.

Spout reach: 4-13/16" (122 mm)

Drain included: YES

Drain tailpiece included:

**Faucet:**

Flow rate: 1.5 gal/min (5.7 l/min)

Pressure: 60 psi (4.1 bar)

**Notes**

Install this product according to the installation guide.