

Features

- Metal construction.
- Brass valve bodies.
- Quarter-turn washerless ceramic disc valves.
- Flexible connections for easy installation.
- Pop-up drain with lift rod and tailpiece.
- Oval handles.
- Stationary spout.
- For 8" (203 mm) or 16" (406 mm) centers.
- 5-7/16" (138 mm) spout reach.
- 1.5 gal/min (5.7 l/min) maximum flow rate [max at 60 psi (4.14 bar)].



Codes/Standards

ASME A112.18.1/CSA B125.1

NSF 61

NSF 372

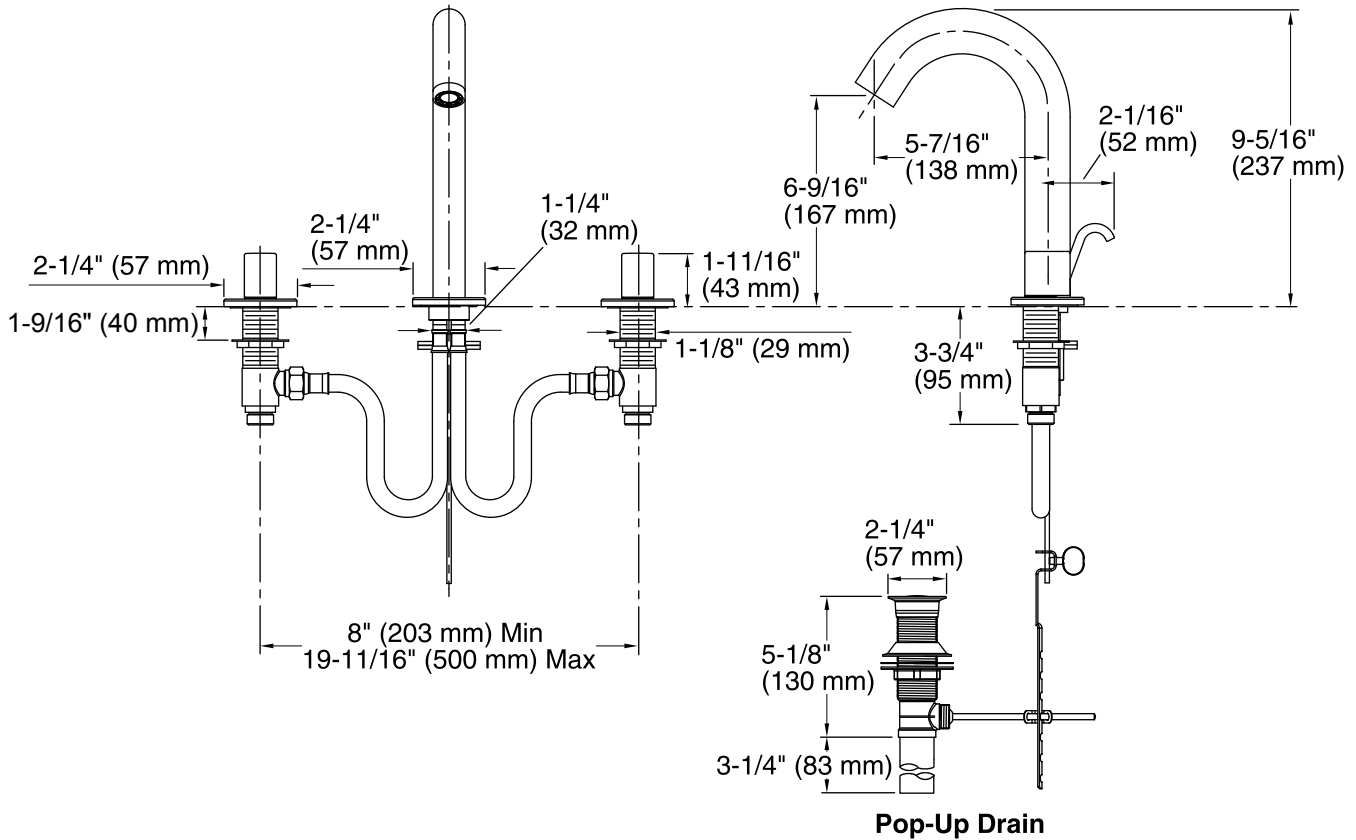
DOE - Energy Policy Act 1992

EPA WaterSense®

All applicable US Federal and State material regulations

KOHLER® Faucet Lifetime Limited Warranty

See website for detailed warranty information.



Technical Information

All product dimensions are nominal.

Spout reach: 5-7/16" (138 mm)

Drain included: YES

Drain tailpiece included: YES

Faucet:

Flow rate: 1.5 gal/min (5.7 l/min)

Pressure: 60 psi (4.1 bar)

Notes

Install this product according to the installation guide.