

Features

- Brass construction
- Single-hole mounting
- Above-counter battery and valve for easy installation
- Vandal-resistant aerator
- 24" (610 mm) flexible supply hoses for easy installation
- 5-5/16" (135 mm) spout reach
- Stationary spout
- With temperature mixer
- Includes two AAA batteries
- Less drain
- 0.5 gal/min (1.9 l/min) flow rat



ADA

CSA B651

OBC

Codes/Standards

ASME A112.18.1/CSA B125.1

NSF 372

DOE - Energy Policy Act 1992

ADA

ICC/ANSI A117.1

CSA B651

OBC

All applicable US Federal and State material regulations

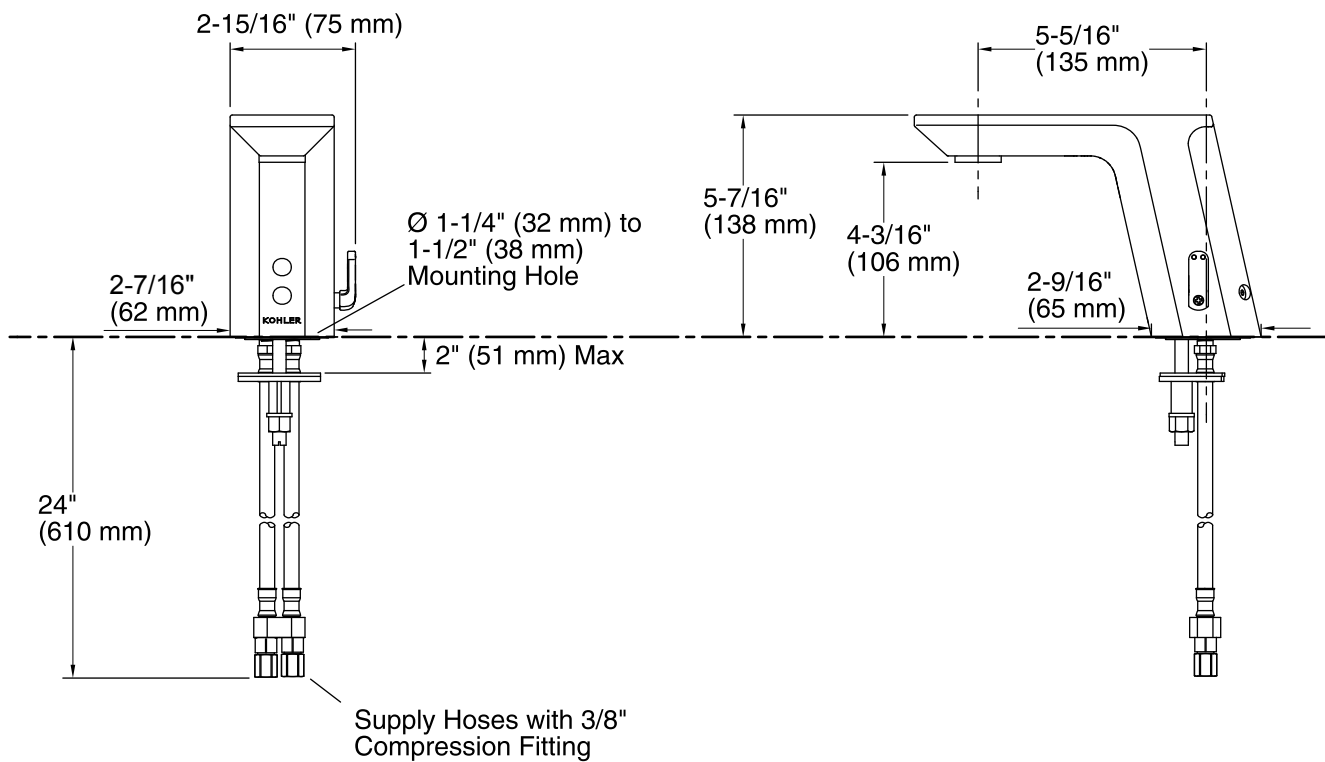
See website for detailed warranty information.

Available Color/Finishes

Color tiles intended for reference only.

Color	Code	Description
-------	------	-------------

	VS	Vibrant® Stainless
--	----	--------------------



Technical Information

All product dimensions are nominal.

Valve body: Machined Brass

Faucet:

Flow rate: 0.5 gal/min (1.9 l/min)

Power source: AAA 1.5 V, included

Notes

Install this product according to the installation guide.

A 1-1/4" (32 mm) minimum to 1-1/2" (38 mm) maximum diameter mounting hole is required.

The minimum distance between the back of the faucet spout and the wall must be 1-3/4" (44 mm). This will allow proper clearance for setscrew access.

The maximum distance between the bathroom sink basin edge to the base of the faucet spout must be 1-3/4" (44 mm).

The maximum height of the lip basin should be 3/4" (19 mm).

Product includes rosebud spray aerator. Other aerator styles are available.

ADA, OBC, CSA B651 compliant when installed to the specific requirements of these regulations.