

Features

- Fireclay.
- Above-counter.
- Basin with gently-upturned curves.
- With overflow and overflow cover.
- No faucet holes; requires wall- or counter-mount faucet.
- 23-5/8" (600 mm) x 15" (381 mm)



Codes/Standards




ASME A112.19.2/CSA B45.1

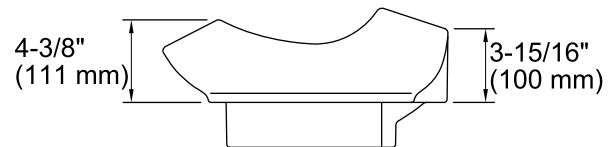
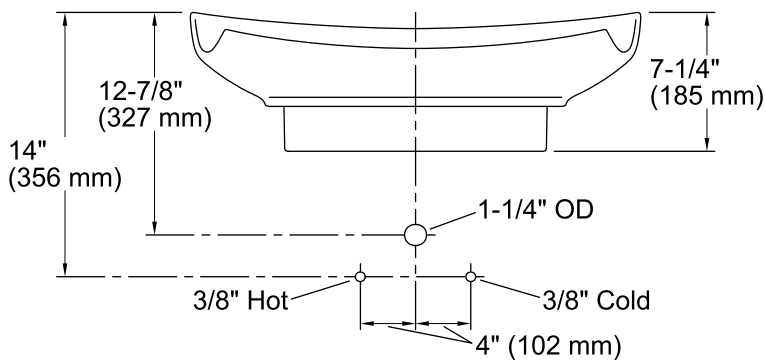
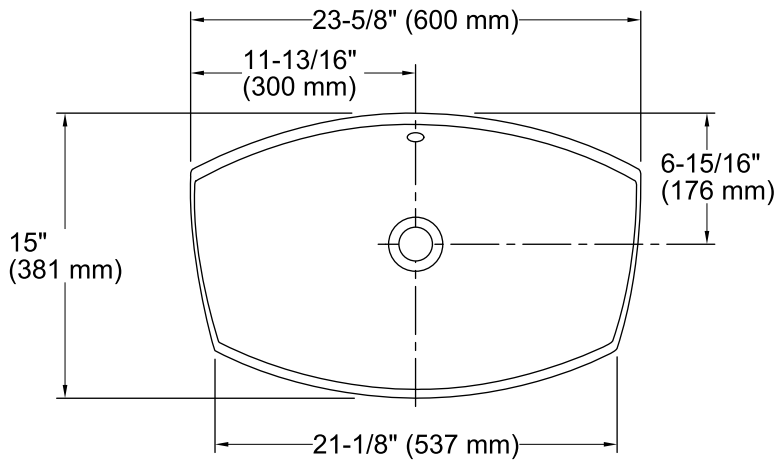
KOHLER® One-Year Limited Warranty

See website for detailed warranty information.

Available Color/Finishes

Color tiles intended for reference only.

Color	Code	Description
	0	White
	96	Biscuit
	47	Almond



Technical Information

All product dimensions are nominal.

Bowl configuration:	Single
Installation:	Above-counter
Bowl area	Length: 23" (584 mm) Width: 13-3/4" (349 mm) Water depth: 1-15/16" (49 mm)
Drain hole:	1-11/16" (43 mm)
Template:	Above-counter, 1095093-7, required, included

Notes

Install this product according to the installation guide.