

Features

- KOHLER cast iron.
- Drop-in.
- Metal frame mounting.
- Rectangular basin.
- With overflow.
- 4-inch centers.
- 20" (508 mm) x 18" (457 mm)

Required Accessories

K-6688 Metal Frame

Recommended Accessories

K-8998 P-Trap



ADA

Codes/Standards

ASME A112.19.1/CSA B45.2

ADA

ICC/ANSI A117.1




KOHLER® Lifetime Limited Warranty for Cast Iron Components

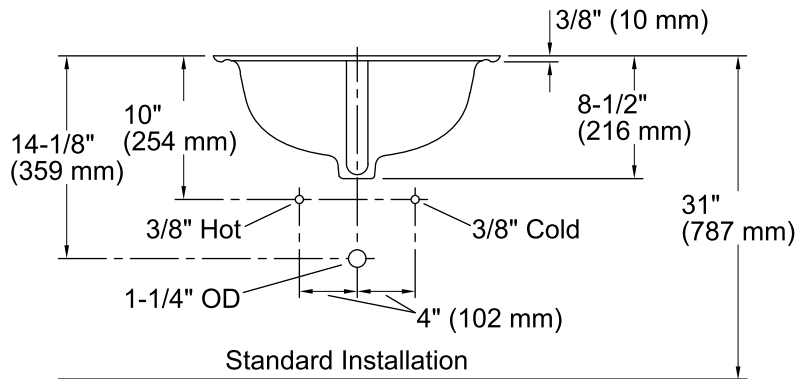
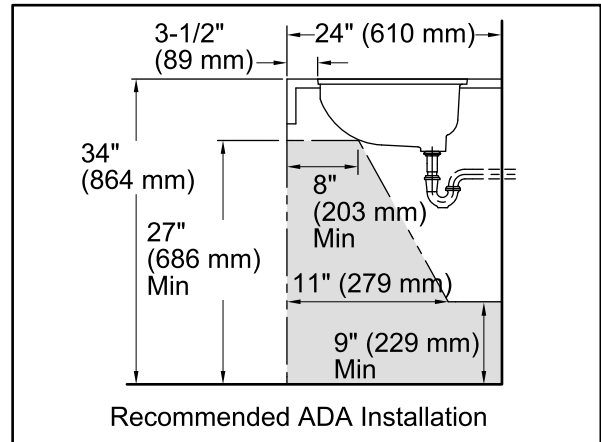
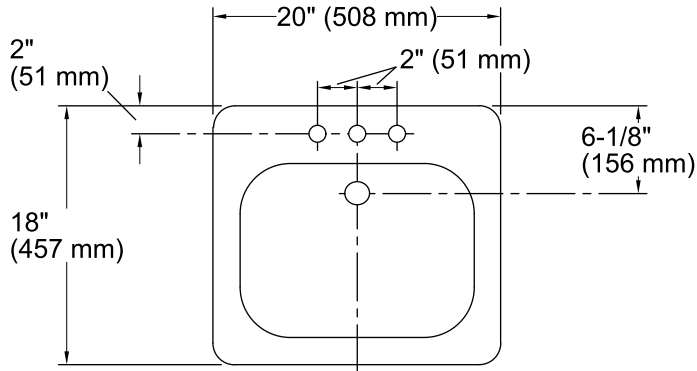
See website for detailed warranty information.

Available Color/Finishes

Color tiles intended for reference only.

Color	Code	Description
-------	------	-------------

	0	White
	96	Biscuit
	47	Almond



Technical Information

All product dimensions are nominal.

Bowl configuration:	Single
Installation:	Drop-In
Bowl area (Only)	Length: 16" (406 mm) Width: 12" (305 mm) Water depth: 5" (127 mm)
Number of deck holes:	3
Faucet hole(s):	1-3/8" (35 mm)
Drain hole:	1-11/16" (43 mm)

Notes

Install this product according to the installation guide.

A metal frame is required for installation.

ADA compliant when installed to the specific requirements of these regulations.