

## Features

- 36-inch minimum base cabinet width.
- 14-gauge stainless steel.
- Top-mount.
- Single bowl.
- Includes installation hardware.
- Includes SilentShield® sound-absorption technology.
- 33" (838 mm) x 18" (457 mm)

## Optional Accessories

K-8801 Sink Strainer

## Components

Product includes:

91915 Hardware Kit

Additional included component/s: Cut-out template.

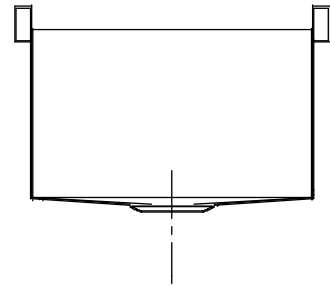
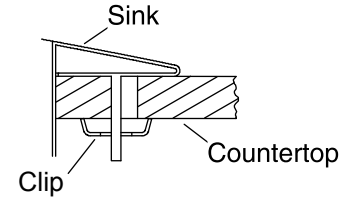
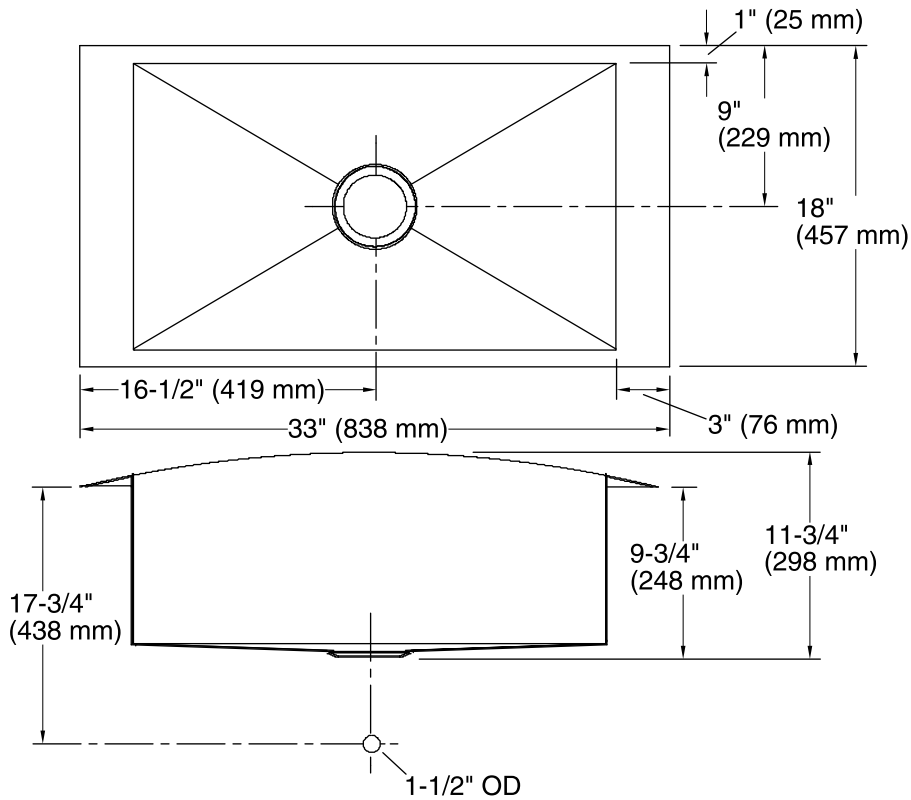


## Codes/Standards

ASME A112.19.3/CSA B45.4

## Lifetime Limited Warranty for KOHLER® Stainless Steel Sinks

See website for detailed warranty information.



## Technical Information

All product dimensions are nominal.

Bowl configuration:	Single
Installation:	Top-mount
Bowl area	Length: 27" (686 mm) Width: 16" (406 mm) Bowl depth: 10-3/16" (259 mm)
Drain hole:	3-5/8" (92 mm)
Template:	Top-mount, 1022027-7, required, included

## Notes

Install this product according to the installation guide.