

Features

- Solid polypropylene plastic.
- Round open-front.
- With lid.



Codes/Standards






IAPMO/ANSI Z124.5

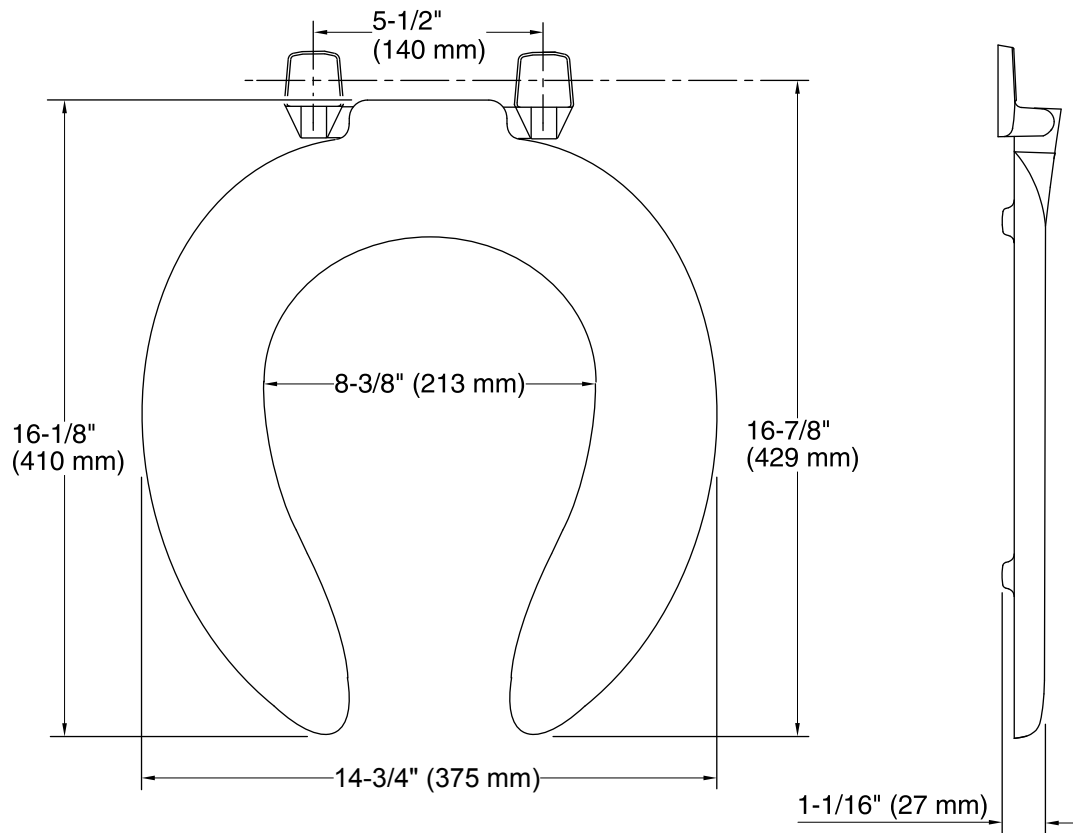
KOHLER® One-Year Limited Warranty

See website for detailed warranty information.

Available Color/Finishes

Color tiles intended for reference only.

Color	Code	Description
	0	White
	96	Biscuit
	47	Almond
	95	Ice™ Grey
	33	Mexican Sand™
	-	-
	-	-
	-	-
	-	-
	-	-
	-	-
	-	-
	-	-
	-	-



Technical Information

All product dimensions are nominal.

Seat shape type: Round

Seat front type: Open front

Seat-mounting holes: 5-1/2" (140 mm)

Notes

Install this product according to the installation guide.