

URINAL K-5016-ER

Features

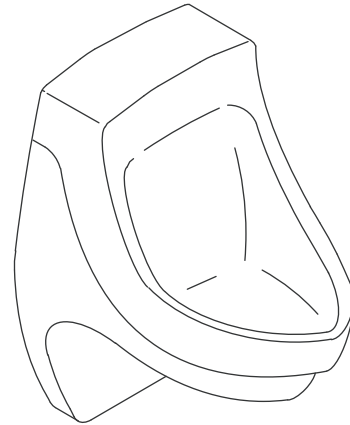
- Vitreous china
- Siphon jet
- 3/4" rear spud
- Includes inlet and outlet spuds and hangers
- Includes anti-backsplash wall
- 14-1/2" (368 mm) extended rim
- 0.5 gpf (1.9 lpf)
- WaterSense® compliant when used with WaterSense flushometer



Codes/Standards Applicable

Specified model meets or exceeds the following:

- ADA
- ICC/ANSI A117.1
- ASME A112.19.2/CSA B45.1
- EPA WaterSense®



Colors/Finishes

- 0: White
- Other: Refer to Price Book for additional colors/finishes

Specified Model

Model	Description	Colors/Finishes	
K-5016-ER	3/4" rear spud urinal	<input type="checkbox"/> 0	<input type="checkbox"/> Other_____

Product Specification

The siphon jet urinal shall be made of vitreous china with a 3/4" rear spud. Urinal shall include inlet and outlet spuds and hangers. Urinal shall include anti-backsplash wall. Urinal shall use 0.5 gpf (1.9 lpf). Urinal shall be WaterSense compliant when used with WaterSense flushometer. Urinal shall have a 14-1/2" (368 mm) extended rim. Urinal shall be Kohler Model K-5016-ER-_____.

DEXTER™

Technical Information

Fixture:	
Configuration	3/4" rear spud
Spud inlet size	3/4"
Water per flush	0.5 gpf (1.9 lpf)
Included components:	
3/4" inlet spud	18376
2" outlet spud	18766
Hanger (2 required)	64512

Installation Notes

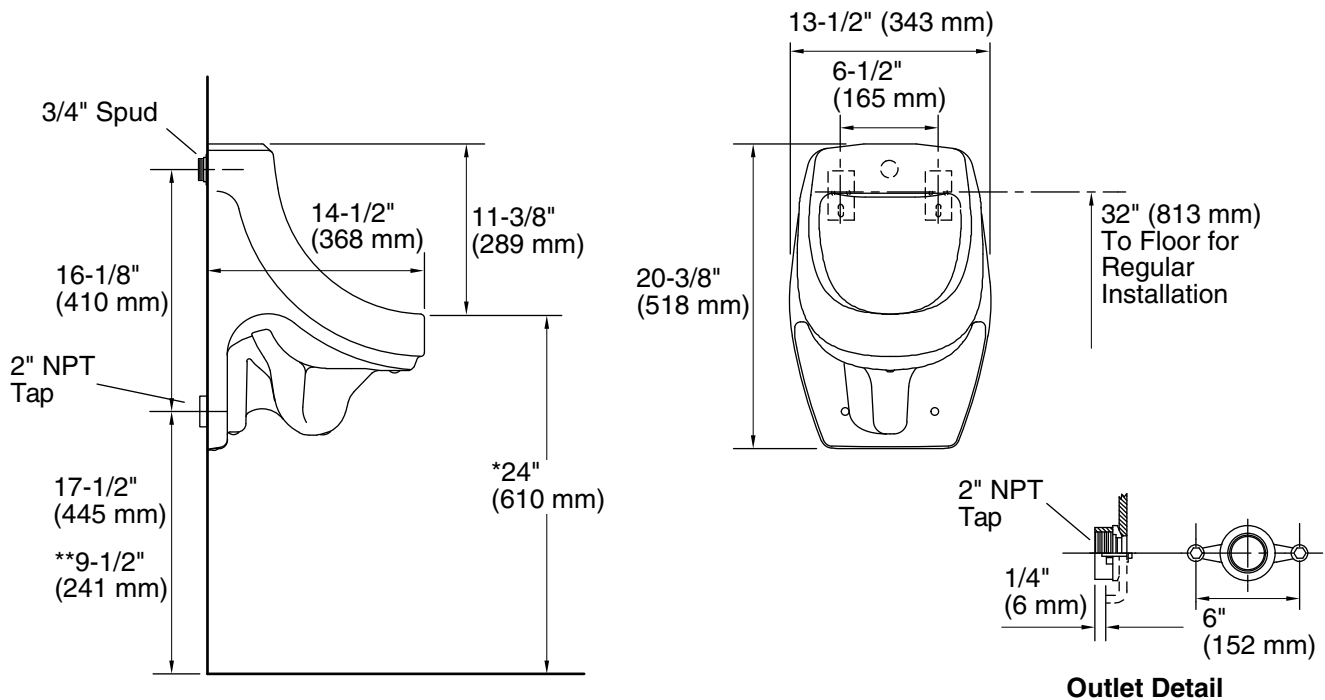
Install this product according to the installation guide.

Refer to manufacturer's instructions and local codes for flushometer requirements.

Will comply with **ADA** when installed per Section 605 Urinals of the Act.

*Urinal complies with ADA requirement when installed per Section 605 of the Act.

**Recommended outlet height for ADA compliance.



Product Diagram