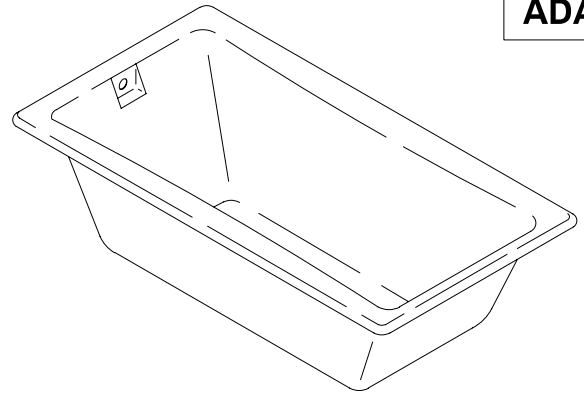


FEATURES

- 60" x 32" x 18-1/4"
- Cast iron with Safeguard® finish
- ADA compliant when installed with seat at head end



CODES/STANDARDS APPLICABLE

Specified model meets or exceeds the following:

- ADA
- ASME/ANSI A112.19.1M
- CABO/ANSI A117.1
- IAPMO/UPC
- Canadian Standards Association (CSA)
- State of Massachusetts

COLORS/FINISHES

- 0 White
- Other Refer to Fixtures Price Book for additional colors

Accessories:

- CP Polished Chrome
- PB Polished Brass
- Other Refer to Fixtures Price Book for additional colors
- NA None Applicable

SPECIFIED MODEL:

Model	Description	Colors/Finishes	
K-850	5' bath	<input type="checkbox"/> 0 White	<input type="checkbox"/> Other_____

Required Accessories			
K-7169-AF	Drain	<input type="checkbox"/> CP	<input type="checkbox"/> PB <input type="checkbox"/> Other_____

Optional Accessories		
K-1172	Adjustable feet	<input type="checkbox"/> NA
K-586	Undermount installation kit (template and installation instructions)	<input type="checkbox"/> NA
K-1179	Vinyl tiling-in bead (use when wall material contacts any top surface of bath)	<input type="checkbox"/> NA

PRODUCT SPECIFICATION:

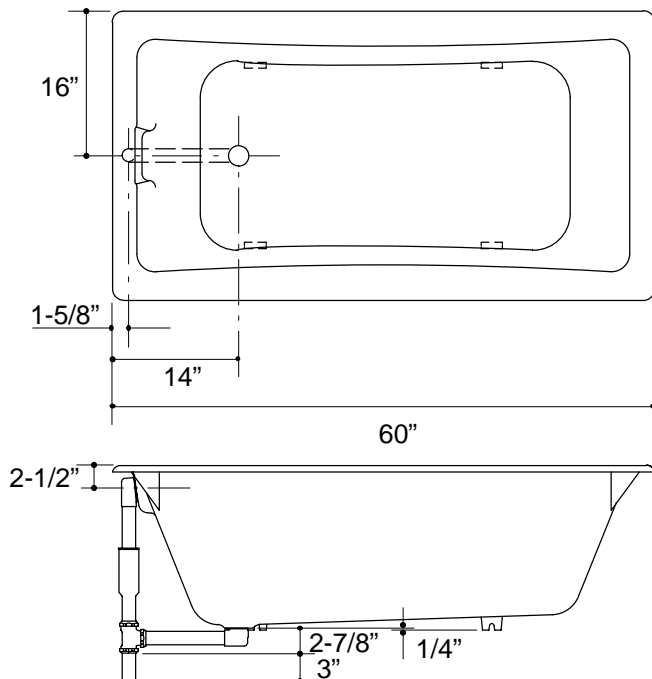
The bath shall be 60" in length, 32" in width, and 18-1/4" in height. Bath shall be made of cast iron with Safeguard® finish. Bath shall be ADA complaint when installed with seat at head end. Bath shall be Kohler Model K-850-_____.

TEA-FOR-TWO™

PRODUCT INFORMATION

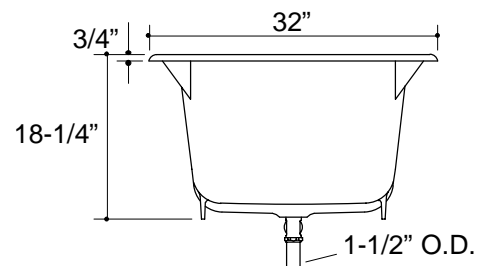
Fixture*:	basin area	top area	weight
Bathing well	40-1/2" x 20"	52-3/4" x 24"	250 lbs.
	water depth	capacity	
To overflow	13-5/8"	60 gal.	

* Approximate measurements for comparison only.



1.25>132

Roughing-In Notes	
No change in measurements if connected with drain illustrated.	
Cut-out for drop-in	58-1/2" x 30-1/2"
Cut-out for undermount	K-586 template required



PRODUCT DIAGRAM