

**SHOWERHEAD  
K-12008  
ALSO K-12009**

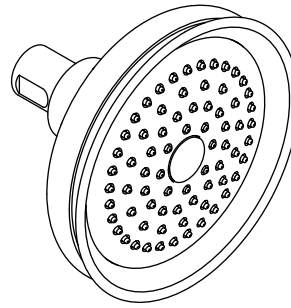
**Features**

- MasterClean™ spray nozzles prohibit mineral build-up
- 72 individual spray nozzles
- Multi-function showerhead delivers wide, full coverage spray, aerated spray and massage spray
- Complements Fairfax® Suite
- 1/2" - 14 NPT connection
- 2.5 gal (9.5 L) per minute flow rate

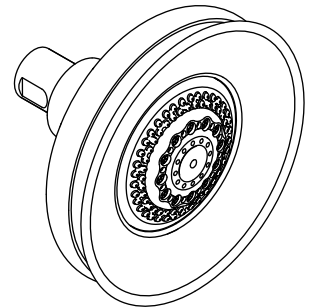
**Codes/Standards Applicable**

Specified model meets or exceeds the following:

- ASME A112.18.1/CSA B125.1
- Energy Policy Act of 2005



**K-12008**



**K-12009**

**Colors/Finishes**

- CP: Polished Chrome
- Other: Refer to Price Book for additional colors/finishes

**Specified Model**

Model	Description	<input type="checkbox"/> CP	<input type="checkbox"/> Other ____
K-12008	Single-function showerhead	<input type="checkbox"/> CP	<input type="checkbox"/> Other ____
K-12009	Multi-function showerhead	<input type="checkbox"/> CP	<input type="checkbox"/> Other ____

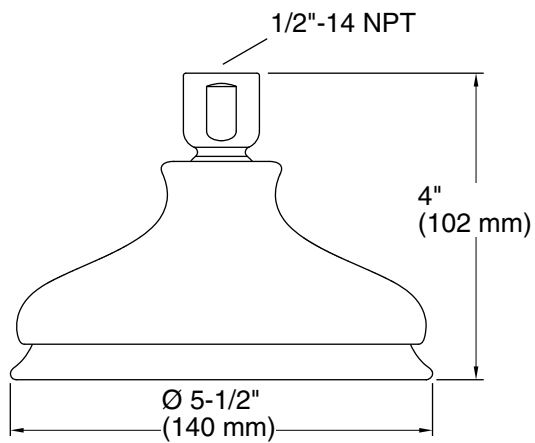
Recommended Accessory				
K-7397	7-1/2" (137 mm) shower arm and flange	<input type="checkbox"/> CP	<input type="checkbox"/> PB	<input type="checkbox"/> Other ____

**Product Specification**

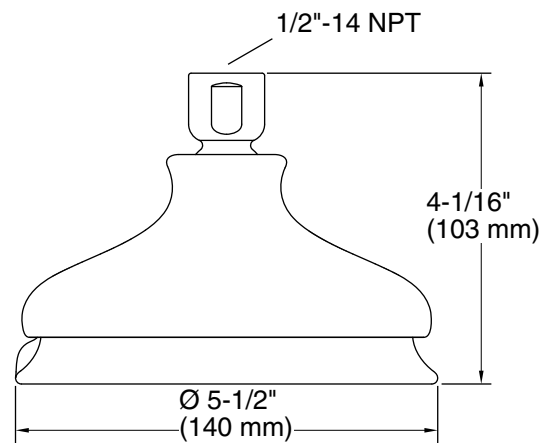
Showerhead shall include single or multi-function spray. Multi-function showerhead shall deliver wide, full coverage spray, soft aerated spray and therapeutic massage spray. Showerhead shall include MasterClean™ spray nozzles to prohibit mineral build-up. Showerhead shall include 72 individual spray nozzles. Showerhead shall have 1/2"-14 NPT connection. Showerhead shall be part of Fairfax® Suite. Showerhead shall feature 2.5 gal (9.5 L) per minute flow rate. Showerhead shall be Kohler Model K-\_\_\_\_-\_\_\_\_.

## Installation Notes

Install this product according to the installation guide.



**K-12008**



**K-12009**

## Product Diagram