

Features

- One-piece faucet, self-contained ceramic disc valve allows both volume and temperature control.
- Temperature memory allows faucet to be turned on and off at any temperature setting.
- Lever handle.
- Single-hole mounting.
- Matching finish sidespray.
- 10-1/2" (267 mm) escutcheon plate.
- 8-7/8" (225 mm) swing spout reach.
- 2.2 gal/min (8.3 l/min) maximum flow rate [max at 60 psi (4.14 bar)].

Material

- Brass construction.

Optional Accessories

1011402



ADA

Codes/Standards

ASME A112.18.1/CSA B125.1

NSF 61

NSF 372

DOE - Energy Policy Act 1992

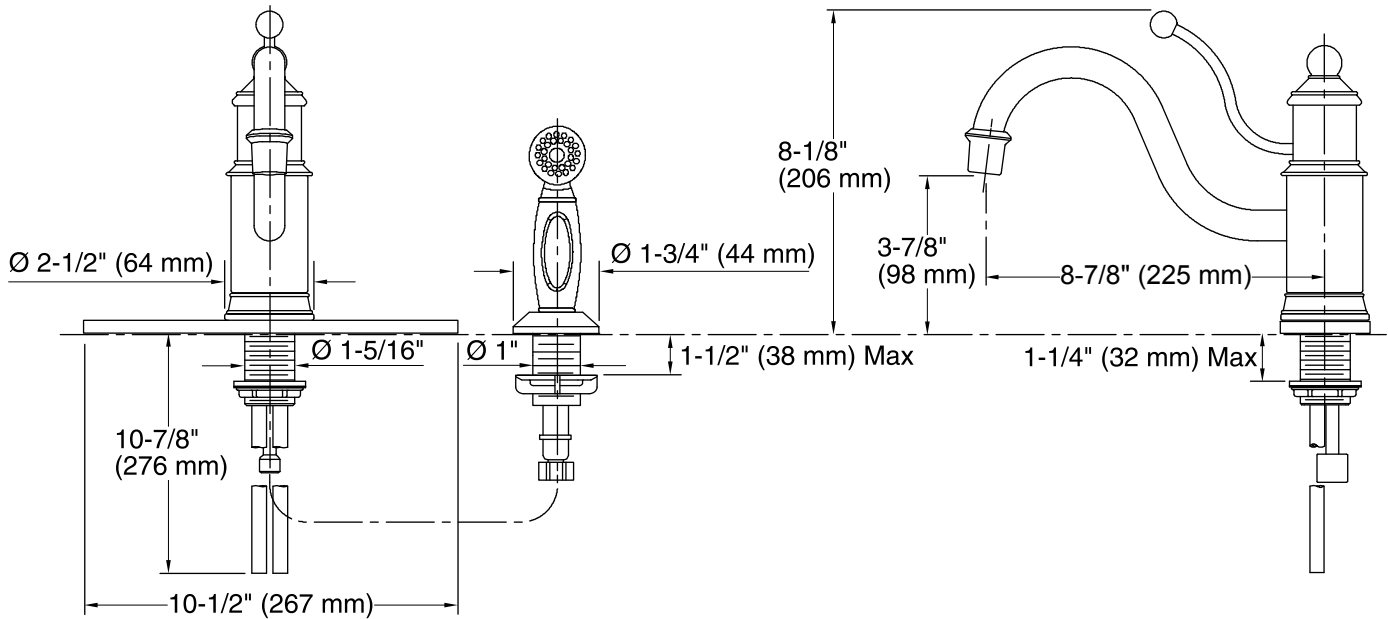
ADA

ICC/ANSI A117.1

All applicable US Federal and State material regulations

KOHLER® Faucet Lifetime Limited Warranty

See website for detailed warranty information.



Technical Information

All product dimensions are nominal.

Spout reach: 8-7/8" (225 mm)

Faucet:

Flow rate: 2.2 gal/min (8.3 l/min)

Pressure: 60 psi (4.1 bar)

Notes

Install this product according to the installation guide.

ADA compliant when installed to the specific requirements of these regulations.