

Features

- Vitreous china.
- Twirl® design on Camber®.
- Circular basin.
- Under-mount.
- Without overflow.
- KOHLER Artist Editions designs.
- 14" (356 mm) diameter

Components

Additional included component/s: Basin clamp assembly.



ADA

Codes/Standards

ASME A112.19.2/CSA B45.1

ADA




ICC/ANSI A117.1

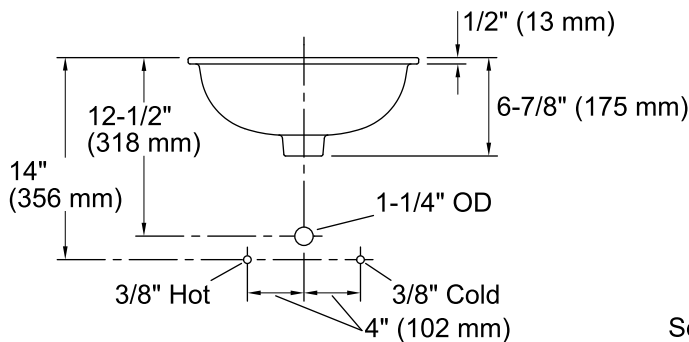
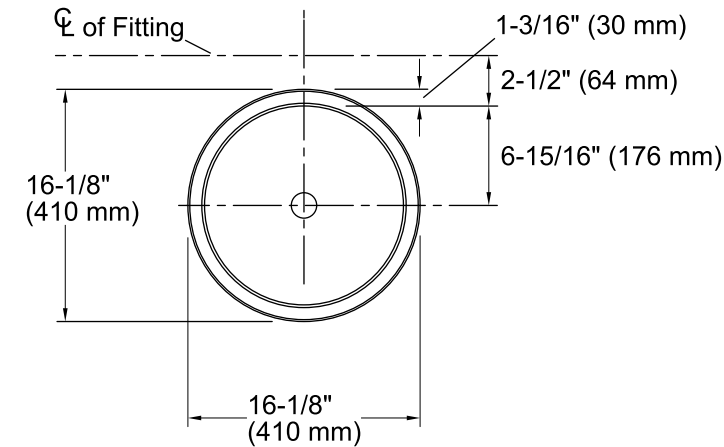
KOHLER® One-Year Limited Warranty

See website for detailed warranty information.

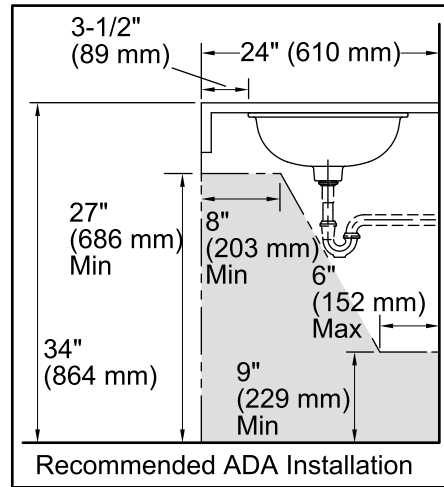
Available Color/Finishes

Color tiles intended for reference only.

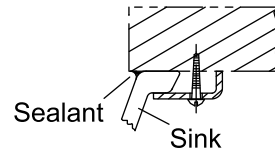
Color	Code	Description
	0	White
	W2	Earthen White
	K5	Translucent Cashmere



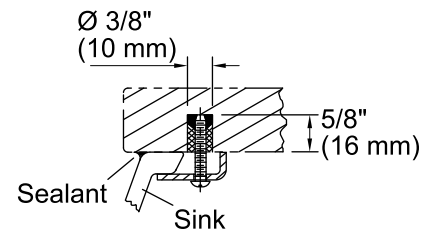
Standard Installation



Recommended ADA Installation



Wood Counter Installation



Marble Installation

Technical Information

All product dimensions are nominal.

Bowl configuration:	Single
Installation:	Under-mount
Bowl area (Only)	Diameter: 13-3/4" (349 mm) Water depth: 5" (127 mm)
Drain hole:	1-3/4" (44 mm)
Template:	Under-mount, 1035896-7, required, not included

Notes

Install this product according to the installation guide.

NOTICE: Countertop manufacturer or cutter must use the current product template available at www.kohler.com, or by calling 1-800-4KOHLER. Kohler Co. is not responsible for cutout errors when the incorrect cutout template is used.

ADA compliant when installed to the specific requirements of these regulations.