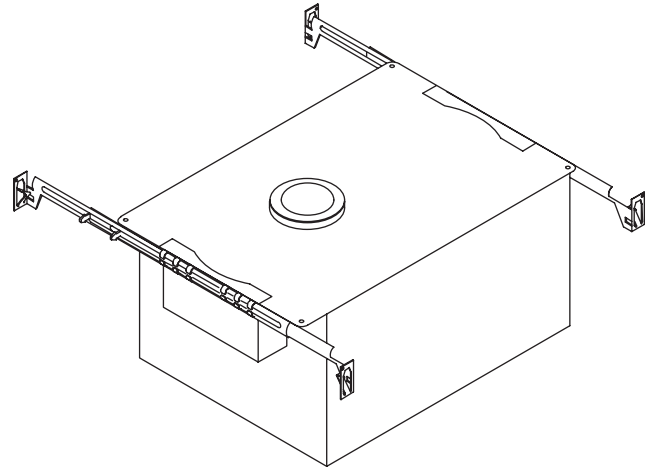


Features

- Thermally insulated housing with a 12-volt transformer
- 4-5/16" (11 cm) diameter finished trim ring
- 2-3/4" (7 cm) diameter frosted glass dome lens
- Requires MR-16 bulb of 50 watts or less (not included)
- Installs flush with the module ceiling
- Intended for use with Sonata® and Freewill® bath and shower modules
- Light shall be UL listed for wet locations
- 17-7/8" (45.4 cm) x 10-3/4" (27.3 cm) x 7-5/8" (19.4 cm)



Codes/Standards Applicable

Specified model meets or exceeds the following:

- Underwriters Laboratories (UL)

Colors/Finishes

- CP: Polished Chrome
- G: Brushed Chrome

Specified Model

Model	Description	Colors/Finishes	
K-1665	Dome light, insulated box	<input type="checkbox"/> CP	<input type="checkbox"/> G

Product Specification

The dome light shall be 4-5/16" (11 cm) diameter including the finished trim ring. Product shall feature a thermally insulated housing with a 12-volt transformer shall be 17-7/8" (45.4 cm) in length, 10-3/4" (27.3 cm) in width, and 7-5/8" (19.4 cm) in height. The dome light shall feature a 2-3/4" (7 cm) diameter frosted glass dome lens. The dome light shall require a MR 16 bulb of 50 W or less (not included). Product shall install flush with the module ceiling. Product is intended for use with Sonata® and Freewill® bath and shower modules. Light shall be UL listed for wet locations. The dome light shall be Kohler Model K-1665-_____.

DOMELIGHT

Required Electrical Service

Must be protected with Class A Ground-Fault Circuit-Interrupter (GFCI):	
Dome light, insulated box	120 V, 15 A, 60 Hz

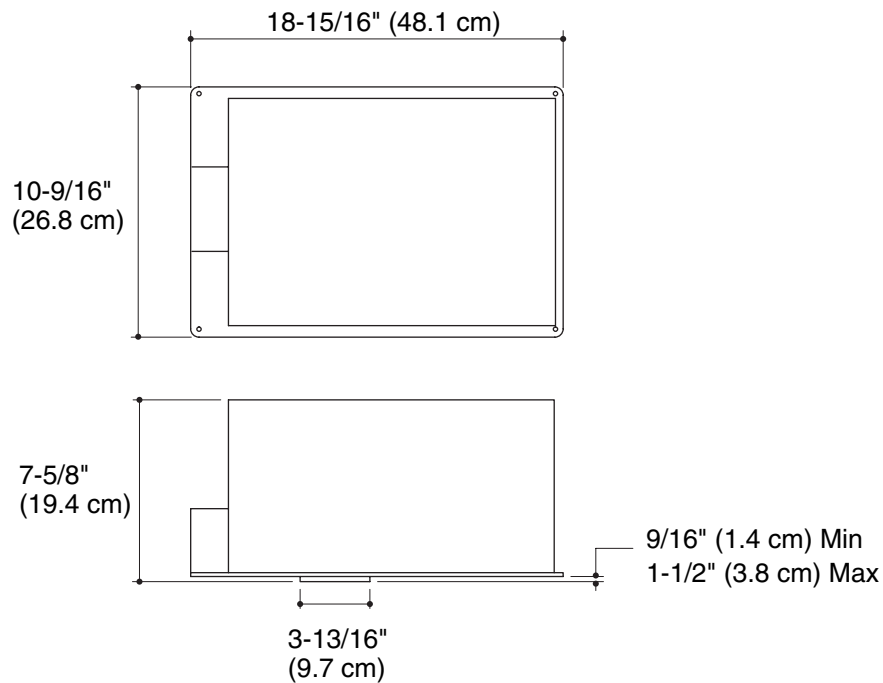
Installation Notes

Install this product according to the installation guide.

Refer to installation instructions included with fixture before beginning installation.

Do not use a light bulb exceeding 50 watts.

12V, 50W, MR-16 bulb required (not included).



Product Diagram