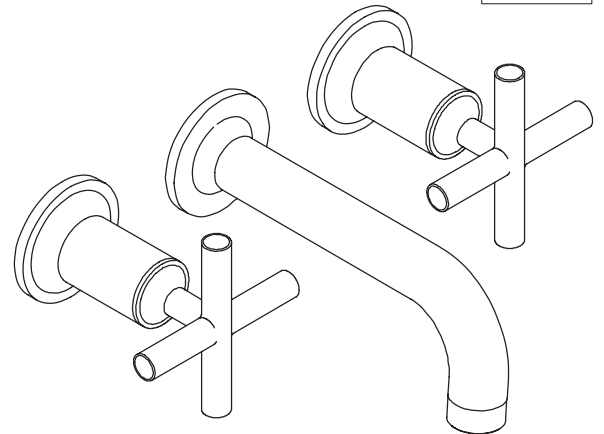


**Features**

- Dual control wall-mounted
- Brass construction
- 2.2 gpm (8.3 lpm) flow rate
- Lower flow aerator options are available (refer to the Kohler Price Book)
- Cross or lever handles

**WALL-MOUNT FAUCET  
K-T14412  
ALSO K-T14414, K-T14416**

**ADA**



**Codes/Standards Applicable**



Specified model meets or exceeds the following:

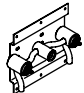
- ASME A112.18.1/CSA B125.1
- IAPMO/UPC
- NSF 61
- Energy Policy Act of 1992 (EPACT)
- ADA

**Colors/Finishes**

- CP: Polished Chrome
- NA: None applicable
- Other: Refer to Price Book for additional colors/finishes

**Specified Model**

| Model      | Description   |  <b>ADA</b> |  <b>ADA</b> |
|------------|---|--|--|
| K-T14412-3 | Faucet with cross handles and a 6" (15.2 cm) 90° spout  | <input type="checkbox"/> CP <input type="checkbox"/> Other _____                                 |  |
| K-T14412-4 | Faucet with lever handles and a 6" (15.2 cm) 90° spout  |  | <input type="checkbox"/> CP <input type="checkbox"/> Other _____                                 |
| K-T14414-3 | Faucet with cross handles and a 9" (22.9 cm) 90° spout  | <input type="checkbox"/> CP <input type="checkbox"/> Other _____                                 |  |
| K-T14414-4 | Faucet with lever handles and a 9" (22.9 cm) 90° spout  |  | <input type="checkbox"/> CP <input type="checkbox"/> Other _____                                 |
| K-T14416-3 | Faucet with cross handles and a 12" (30.5 cm) 90° spout | <input type="checkbox"/> CP <input type="checkbox"/> Other _____                                 |  |
| K-T14416-4 | Faucet with lever handles and a 12" (30.5 cm) 90° spout |  | <input type="checkbox"/> CP <input type="checkbox"/> Other _____                                 |

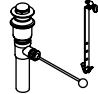



| Required Accessories |                  |  |
|----------------------|------------------|---|
| K-410-K              | Wall-mount valve | <input type="checkbox"/> NA   |

Optional Accessories on Page 2.

**Product Specification**

Dual-control wall-mount faucet shall be of brass construction. Faucet shall be rated at 2.2 gallons (8.3 L) per minute. Faucet shall have lower flow aerator options. Faucet shall include cross or lever handles. Trim shall be Kohler Model K-T\_\_\_\_\_-\_\_\_\_\_-\_\_\_\_\_ with K-410-K valve.

# PURIST®

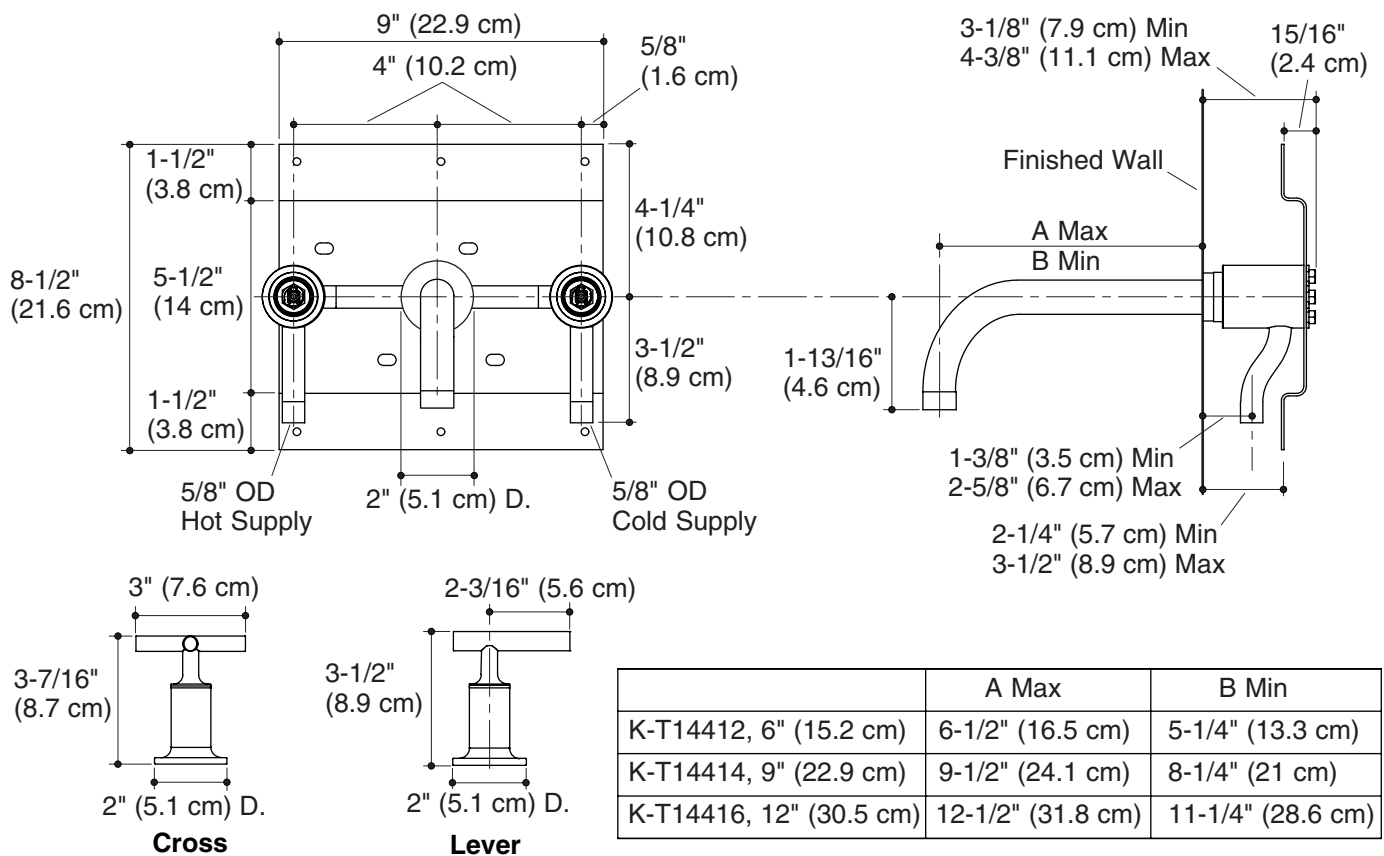
| Optional Accessories |                            |  |  |  |  |
|----------------------|----------------------------|---|--|---|---|
| K-7702               | Pop-up lavatory drain      | <input type="checkbox"/> CP   |  |   |   |
| K-7710               | Lavatory drain             |   | <input type="checkbox"/> CP  |   |   |
| K-7715               | Lavatory drain             |   |  | <input type="checkbox"/> CP   |   |
| K-8801               | Duostrainer® sink strainer |   |  |   | <input type="checkbox"/> CP <input type="checkbox"/> Other_____                     |

## Installation Notes

Install this product according to the installation guide.

1-1/2" (3.8 cm) to 6" (15.2 cm) minimum must be maintained between the bottom of the spout and the top of the fixture rim.

Three 1-1/2" (3.8 cm) diameter cut-out holes are required for spout and handles.



## Product Diagram