



Buy it for looks. Buy it for life.®

*There is more than 1 version of this model.
Page down to identify the version you have.*

DESCRIPTION

- Metal construction with various finishes identified by suffix
- Flexible supplies with 3/8" compression fittings

OPERATION

- Loop style handle
- Temperature controlled by 100° arc of handle travel
- Will operate with less than 5lbs. of force


FLOW

- Spout flow is limited to 1.5 gpm (5.7 L/min) at 60 psi

CARTRIDGE

- 1255™ Duralast™ cartridge

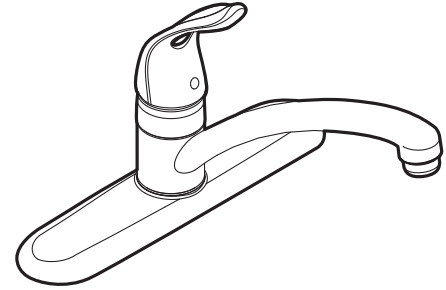
STANDARDS

- Third party certified to IAPMO Green, ASME A112.18.1/CSA B125.1 and all applicable requirements referenced therein including NSF 61/9 & 372
- Contains no more than 0.25% weighted average lead content
- Complies with California Proposition 65 and with the Federal Safe Drinking Water Act
- **ADA**  for lever handle

WARRANTY

- Lifetime limited warranty against leaks, drips and finish defects to the original consumer purchaser
- 5 year warranty if used in commercial installations

Specifications

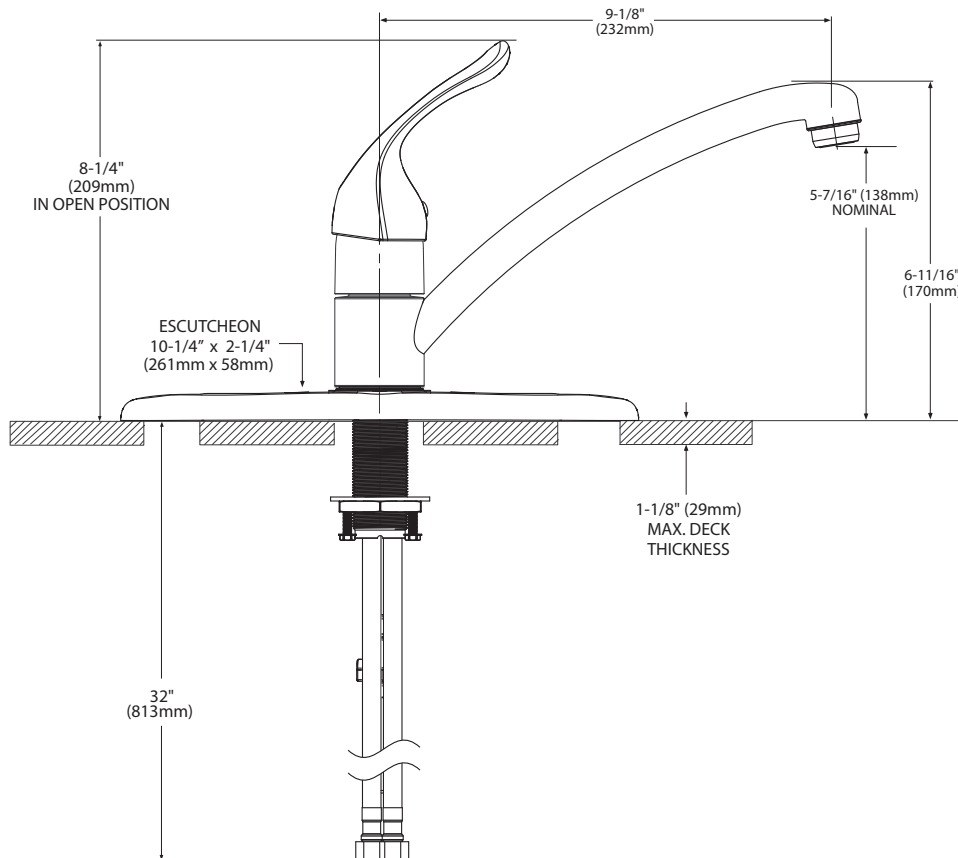


CHATEAU® Single-Handle Kitchen Faucet

Model: 7445 less spray
7460 with spray

Bulk Model: 67445 less spray
67460 with spray

NOTE: DESIGNED TO INSTALL THROUGH
3 HOLES 1-1/4" (32mm) MIN. DIA. AND 4" (102mm)
ON CENTER.



CRITICAL DIMENSIONS

(DO NOT SCALE)



Buy it for looks. Buy it for life.®

Specifications

DESCRIPTION

- Metal construction with various finishes identified by suffix
- Flexible supplies with 3/8" compression fittings

OPERATION

- Loop style handle
- Temperature controlled by 100° arc of handle travel
- Will operate with less than 5lbs. of force


FLOW

- Spout flow is limited to 2.0 gpm (7.6 L/min) at 60 psi

CARTRIDGE

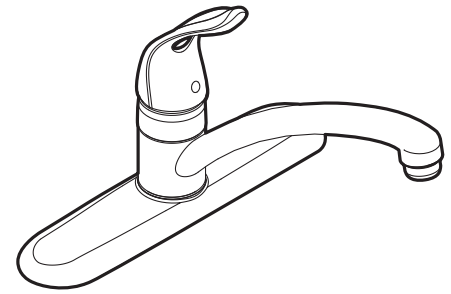
- 1255™ Duralast™ cartridge

STANDARDS

- Third party certified to IAPMO Green, ASME A112.18.1/CSA B125.1 and all applicable requirements referenced therein including NSF 61/9
- Contains no more than 0.25% weighted average lead content
- Complies with California Proposition 65 and with the Federal Safe Drinking Water Act
- **ADA**  for lever handle

WARRANTY

- Lifetime limited warranty against leaks, drips and finish defects to the original consumer purchaser
- 5 year warranty if used in commercial installations

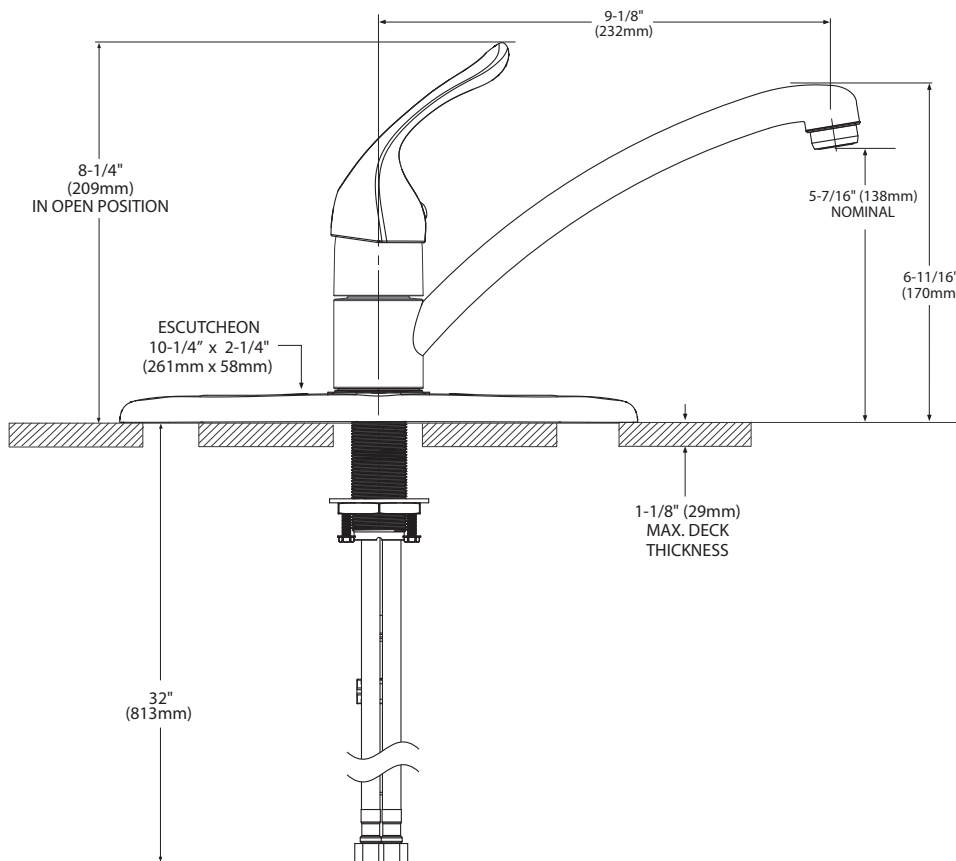


CHATEAU® Single-Handle Kitchen Faucet

Model: 7445 less spray
7460 with spray

Bulk Model: 67445 less spray
67460 with spray

NOTE: DESIGNED TO INSTALL THROUGH
3 HOLES 1-1/4" (32mm) MIN. DIA. AND 4" (102mm)
ON CENTER.



CRITICAL DIMENSIONS

(DO NOT SCALE)



Buy it for looks. Buy it for life.®

Specifications

DESCRIPTION

- Metal construction with chrome plated finish
- 1/2" IPS connections will accept standard ball nose connection for 3/8" tubing

OPERATION

- Loop style handle
- Temperature controlled by 180° arc of handle travel
- Will operate with less than 5lbs. of force

FLOW

- Aerator is limited to 2.2 gpm max (8.3 L/min)

CARTRIDGE

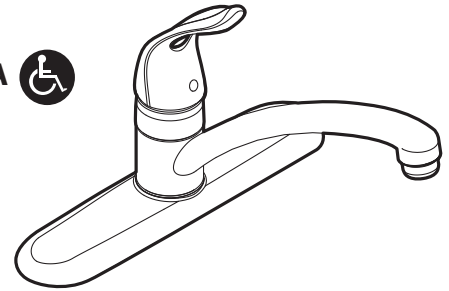
- 1225 cartridge design (not 1200)
- Nonmetallic/nonferrous and stainless steel material

STANDARDS

- Designed and manufactured to comply to: CSA B-125, ASME A112.18.1M, ANSI A117.1 and all applicable requirements referenced therein
- Certified to ANSI/NSF 61/9
- Complies with California Proposition 65 and with the Federal Safe Drinking Water Act

WARRANTY

- Lifetime limited warranty against leaks, drips and finish defects to the original consumer purchaser
- 5 year warranty if used in commercial installations

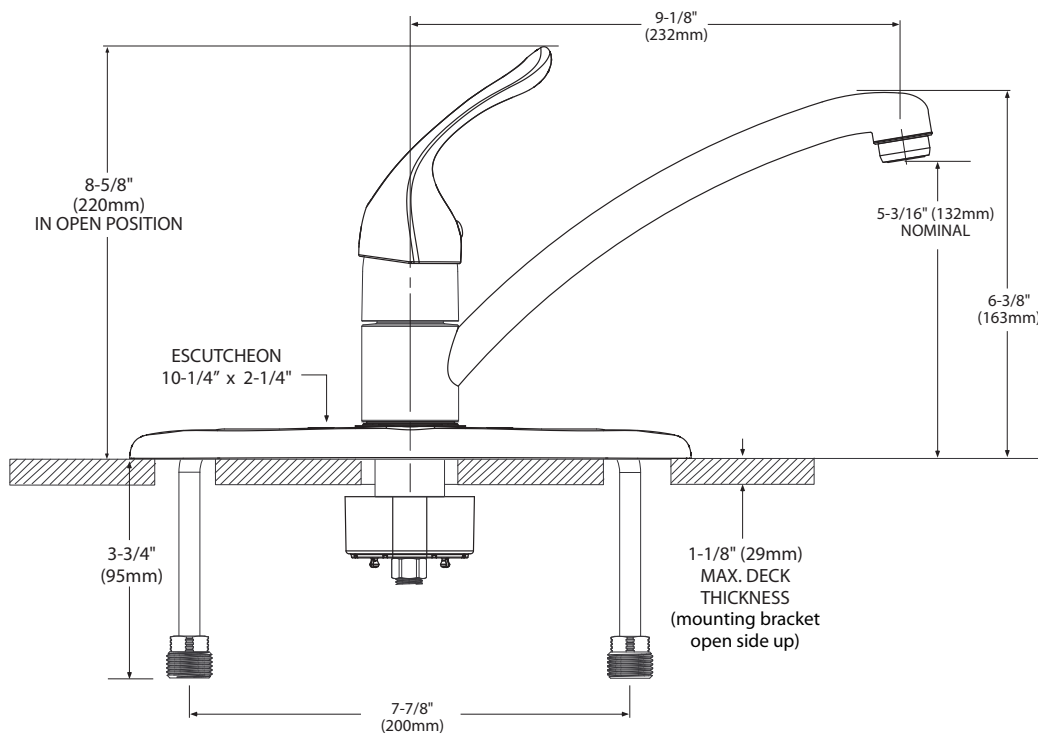


CHATEAU® Single-Handle Kitchen Faucet

Model: 7445 less spray
7460 with spray

Bulk Model: 67445 less spray
67460 with spray

NOTE: DESIGNED TO INSTALL THROUGH
3 HOLES 1-1/4" (32mm) MIN. DIA. AND 4" (102mm)
ON CENTER.



CRITICAL DIMENSIONS

(DO NOT SCALE)