



Buy it for looks. Buy it for life.®

# Specifications

## DESCRIPTION

- Metal construction with various finishes identified by suffix
- Flexible supplies with 3/8" compression fittings
- Includes Protégé® side spray
- Duralock™ Quick Connect Installation

## OPERATION

- Lever style handle
- Temperature controlled by 100° arc of handle travel
- Will operate with less than 5lbs. of force

## FLOW

- Aerator is limited to 1.5 gpm max (5.7 L/min)

## CARTRIDGE

- 1255™ Duralast™ cartridge
- Nonmetallic/nonferrous and stainless steel material

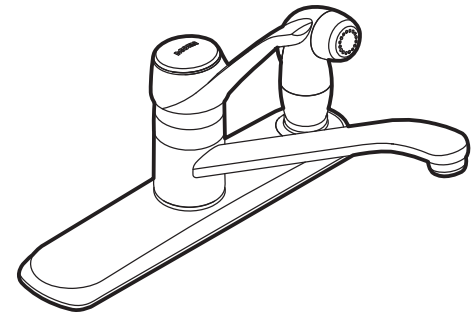
## STANDARDS

- Third party certified to ASME A112.18.1/CSA B-125.1 and all applicable requirements referenced therein
- Certified to ANSI/NSF 61/9 & 372
- Meets CalGreen and Georgia SB370 requirements
- Contains no more than 0.25% weighted average lead content
- Complies with California Proposition 65 and with the Federal Safe Drinking Water Act

- **ADA**  for lever handle

## WARRANTY

- Lifetime limited warranty against leaks, drips and finish defects to the original consumer purchaser
- 5 year warranty if used in commercial installations

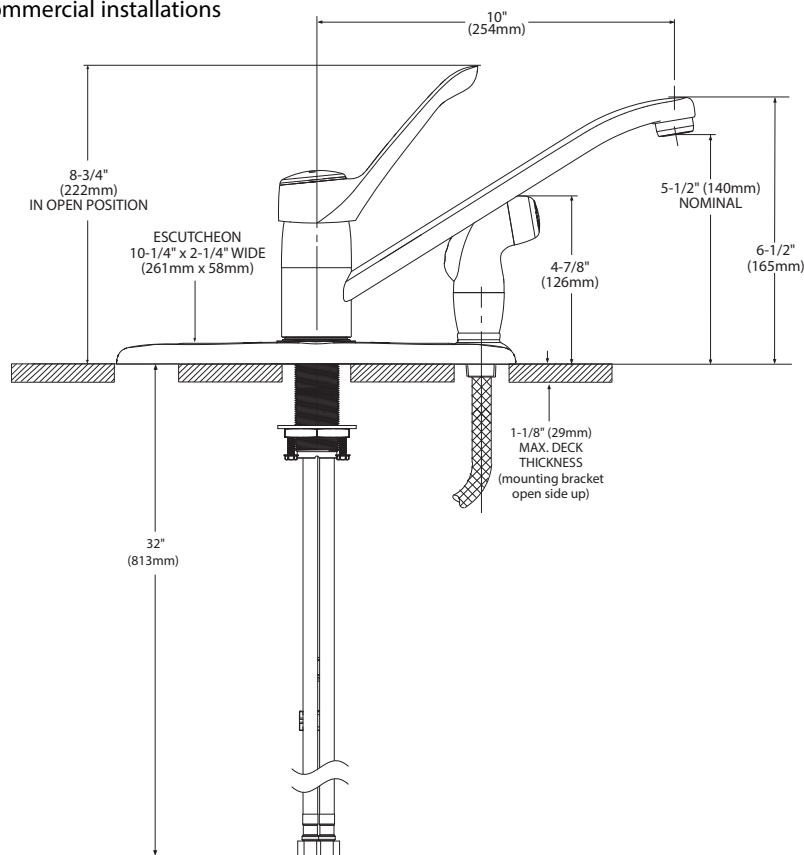


## Manor®

### Single Handle Kitchen Faucet with Protégé® Side Spray in Deck Plate

Models: 87434

**NOTE:** DESIGNED TO INSTALL THROUGH 3 HOLES 1-1/4" (32mm) MIN. DIA. AND 4" (102mm) ON CENTER.



## CRITICAL DIMENSIONS

(DO NOT SCALE)