



Buy it for looks. Buy it for life.®

*There is more than 1 version of this model.  
Page down to identify the version you have.*

**DESCRIPTION**

- Hydrolock® quick connect system
- Metal construction with various finishes identified by suffix
- 1/2" IPS shanks
- Designed to be installed on 8" to 16" centers
- Includes metal pop-up type waste assembly

**OPERATION**

- Acrylic knob style handles.
- Rotate either handle in a counterclockwise manner to open and clockwise to close

**FLOW**

- Flow is limited to 1.5 gpm max (5.7L/min) at 60 psi, for products made before October 2008 flow is limited to 2.2 gpm max (8.3 L/min)

**CARTRIDGE**

- 1224 cartridge design
- Nonmetallic and stainless steel material

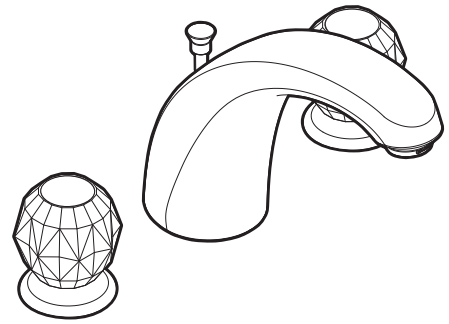
**STANDARDS**

- Third party certified to WaterSense,® CSA B125.1, ASME A112.18.1, and all applicable requirements referenced therein.
- Certified to ANSI/NSF 61/9
- Contains no more than 0.25% weighted average lead content
- Complies with California Proposition 65 and with the Federal Safe Drinking Water Act

**WARRANTY**

- Lifetime limited warranty against leaks, drips and finish defects to the original consumer purchaser
- 5 year warranty if used in commercial installations

# Specifications



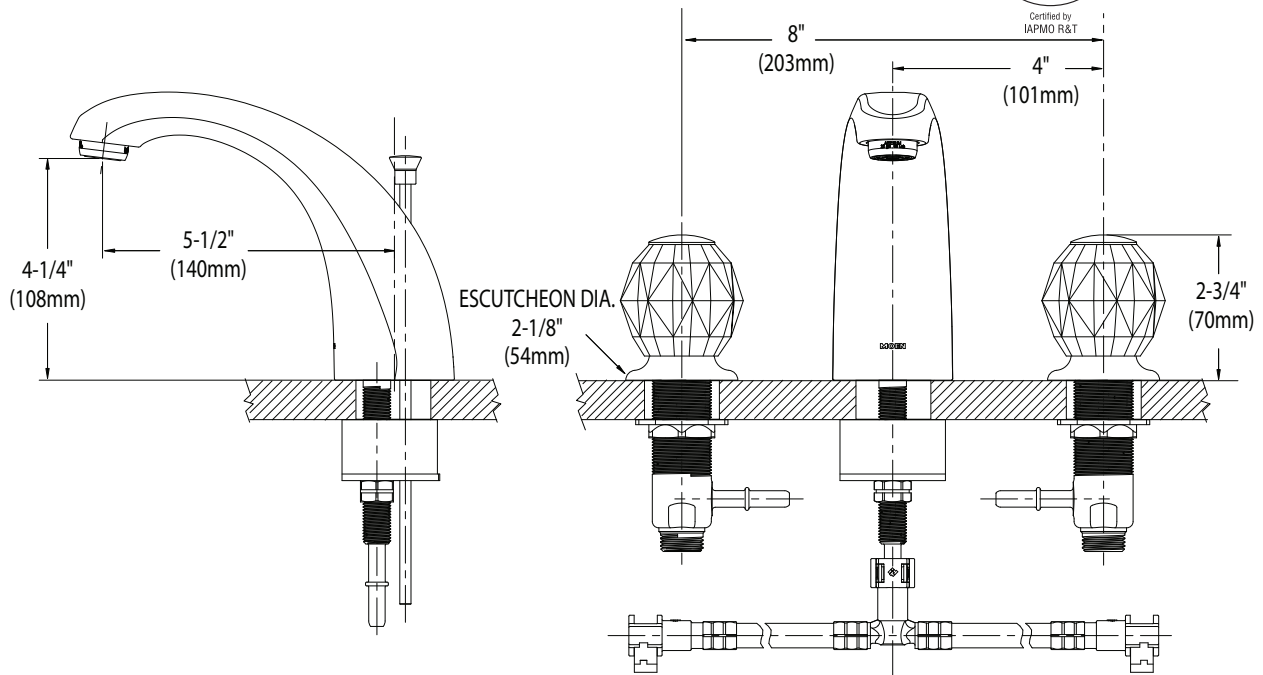
## CHATEAU®

### Two-Handle Widespread Lavatory Faucet

**With Metal Waste Assembly**  
Model: 4962 series

**With 50/50 Waste Assembly**  
**Bulk Pack (6 per carton)**  
Model: 64962 series

**NOTE:** SPOUT INSTALLS THROUGH 1" MIN. DIA. HOLE.  
VALVES INSTALL THROUGH 1-1/8" MIN. DIA. HOLE.  
**NOTE:** FOR DECK THICKNESS 1-1/2" to 3", USE SERVICE KIT #115001. VALVES INSTALL THROUGH 1-1/4" DIA. HOLE.



## CRITICAL DIMENSIONS

(DO NOT SCALE)

**FOR MORE INFORMATION CALL: 1-800-BUY-MOEN**

[www.moen.com](http://www.moen.com)



Buy it for looks. Buy it for life.®

# Specifications

## DESCRIPTION

- Metal construction with various finishes identified by suffix
- 1/2" IPS shanks
- Designed to be installed on 8" to 16" centers
- Includes metal pop-up type waste assembly

## OPERATION

- Acrylic knob style handles.
- Rotate either handle in a counterclockwise manner to open and clockwise to close

## FLOW

- Flow is limited to 2.2 gpm max (8.3 L/min)

## CARTRIDGE

- 1224 cartridge design
- Nonmetallic and stainless steel material

## STANDARDS

- Third party certified to WaterSense,® CSA B125.1, ASME A112.18.1, and all applicable requirements referenced therein.
- Certified to ANSI/NSF 61/9
- Complies with California Proposition 65 and with the Federal Safe Drinking Water Act

## WARRANTY

- Lifetime limited warranty against leaks, drips and finish defects to the original consumer purchaser
- 5 year warranty if used in commercial installations

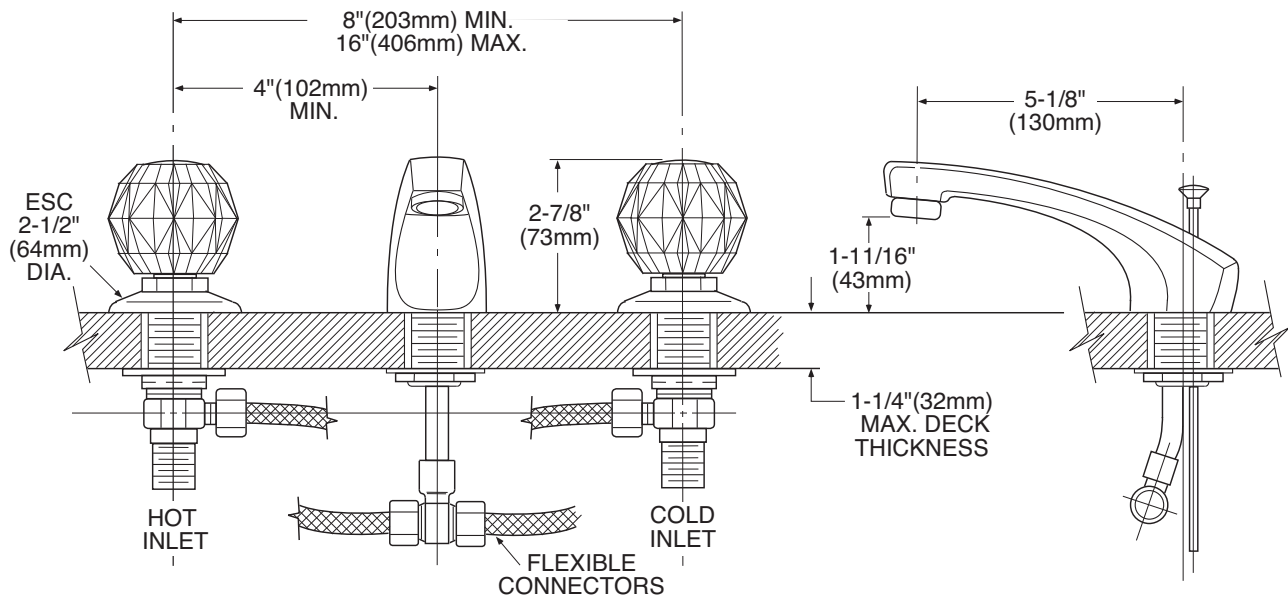


## CHATEAU®

### Two-Handle Widespread Lavatory Faucet With Metal Waste Assembly

Models: 4962 series

**NOTE:** SPOUT INSTALLS THROUGH 1" MIN. DIA. HOLE.  
VALVES INSTALL THROUGH 1-1/8" MIN. DIA. HOLE



## CRITICAL DIMENSIONS

(DO NOT SCALE)