



Buy it for looks. Buy it for life.®

# Specifications

## DESCRIPTION

- Metal construction with various finishes identified by suffix
- Designed to be installed through 2, 1-1/4" and 1, 1" min. dia holes 8" on center
- 1/2" copper connections
- Adaptable for non-8" centers
- Hot and cold temperature indicators available

## OPERATION

- Maximum handle rotation angle is 90° to full on for either handle
- Rotate hot side counterclockwise to open and clockwise to close
- Rotate cold side clockwise to open and counterclockwise to close

## FLOW

- Flow is limited to 1.5 gpm max (5.7L/min) at 60 psi


## CARTRIDGE

- 1224 cartridge design nonmetallic/nonferrous and stainless steel material

## STANDARDS

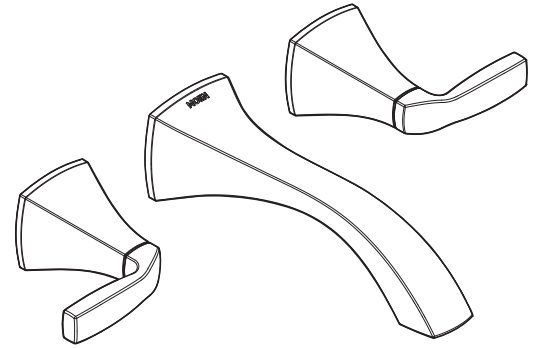
When trim kit is added to M-Pact valve, the product is:

- Third party certified to WaterSense,® ASME A112.18.1/CSA B125.1 and all applicable requirements referenced therein including NSF61/9
- Contains no more than 0.25% weighted average lead content
- Complies with California Proposition 65 and with the Federal Safe Drinking Water Act

- ADA  for lever handles

## WARRANTY

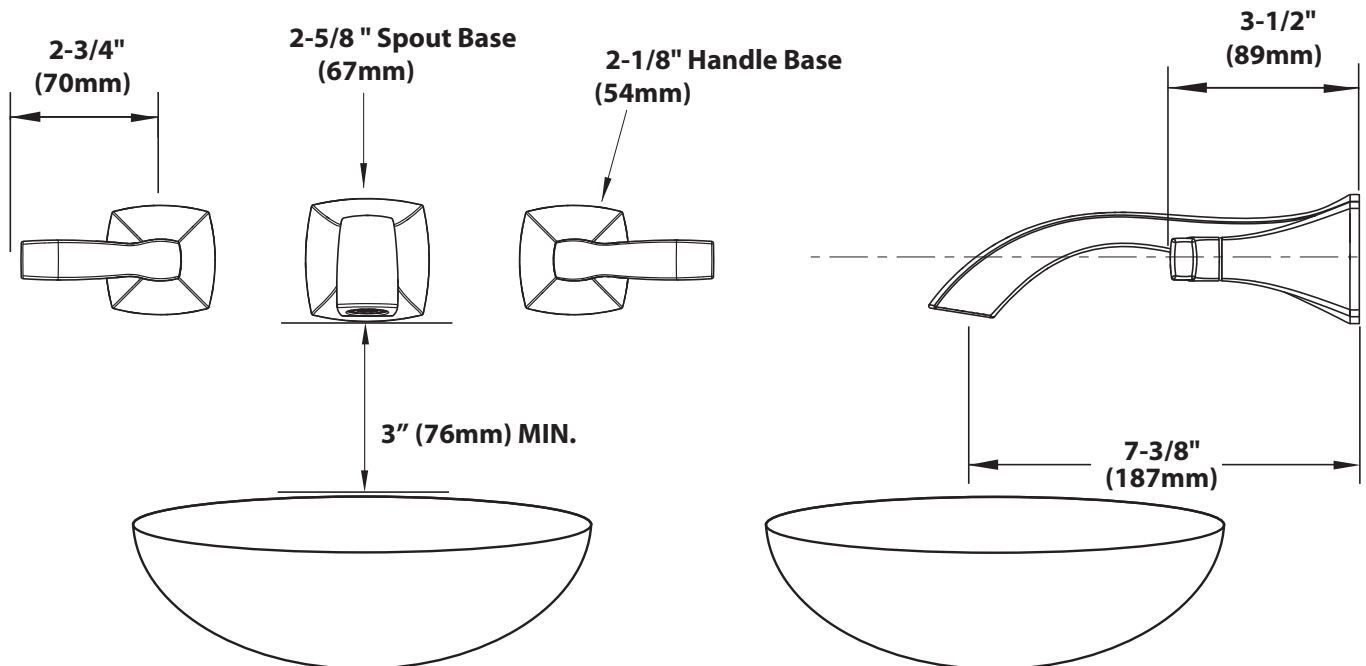
- Lifetime limited warranty against leaks, drips and finish defects to the original consumer purchaser
- 5 year warranty if used in commercial installations



**VOSS™**  
**Two-Handle Wall Mount Faucet**

**Models:** T6906 series

**Valve:** 9700



## CRITICAL DIMENSIONS

(DO NOT SCALE)



FOR MORE INFORMATION CALL: 1-800-BUY-MOEN

www.moen.com