

SINK DESCRIPTION

- Manufactured of 20 gauge stainless steel
- Single bowl is 12" x 10" x 5-1/2" deep
- The sink ledge has two fixture mounting holes, 1-1/4" in diameter and 4" on center
- One 2" diameter SealTite recessed drain opening
- Soundshield undercoating maximizes sound deadening and inhibits condensation
- Made in USA
- Includes all necessary mounting hardware

CUT OUT DIMENSIONS

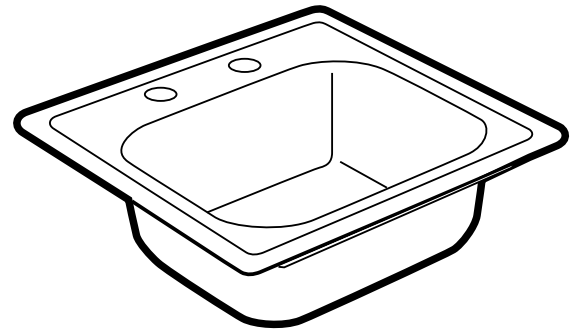
- Cut out dimensions are 14-3/8" x 14-3/8", with a 3/8" corner radius. A tolerance of plus or minus 1/16" is acceptable

STANDARDS

- Third party certified to ASME A112.19.3M/CSA B45.4 and all applicable specifications referenced therein

WARRANTY

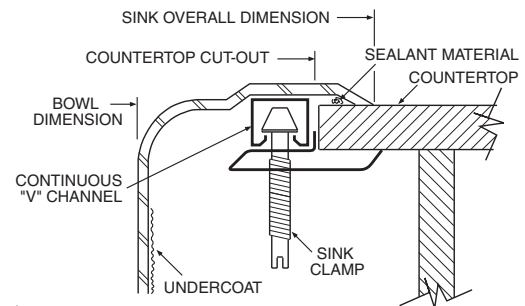
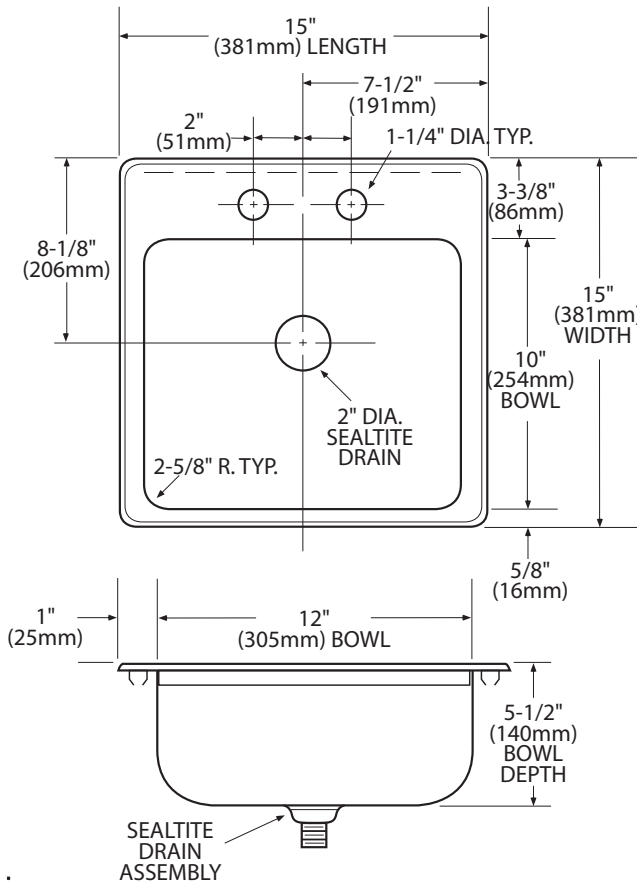
- Warranted for five years against material or manufacturing defects



Single Bowl Kitchen Sink

Model: 22119

(C-1515-2)



Installation Detail

CRITICAL DIMENSIONS

(DO NOT SCALE)