

**FAUCET DESCRIPTION**

- Chrome plated brass construction
- (3/8" compression x 15" stainless steel supply line)
- Supplied less spout with vandal resistant screws


**OPERATION**

- 2-1/2" Lever handle
- Hot and cold color indicators
- 1/4 turn to open

**CARTRIDGE**

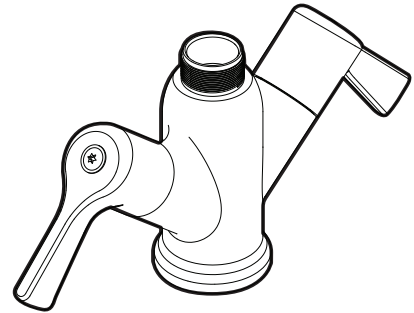
- Ceramic 28mm cartridge design
- Nonmetallic and nonferrous material

**STANDARDS**

- Third party certified by CSA to meet ASME A112.18.1, ICC A117.1 and all applicable specifications referenced therein
- ADA  for lever handles

**WARRANTY**

- Warranted for 5 years against material or manufacturing defects

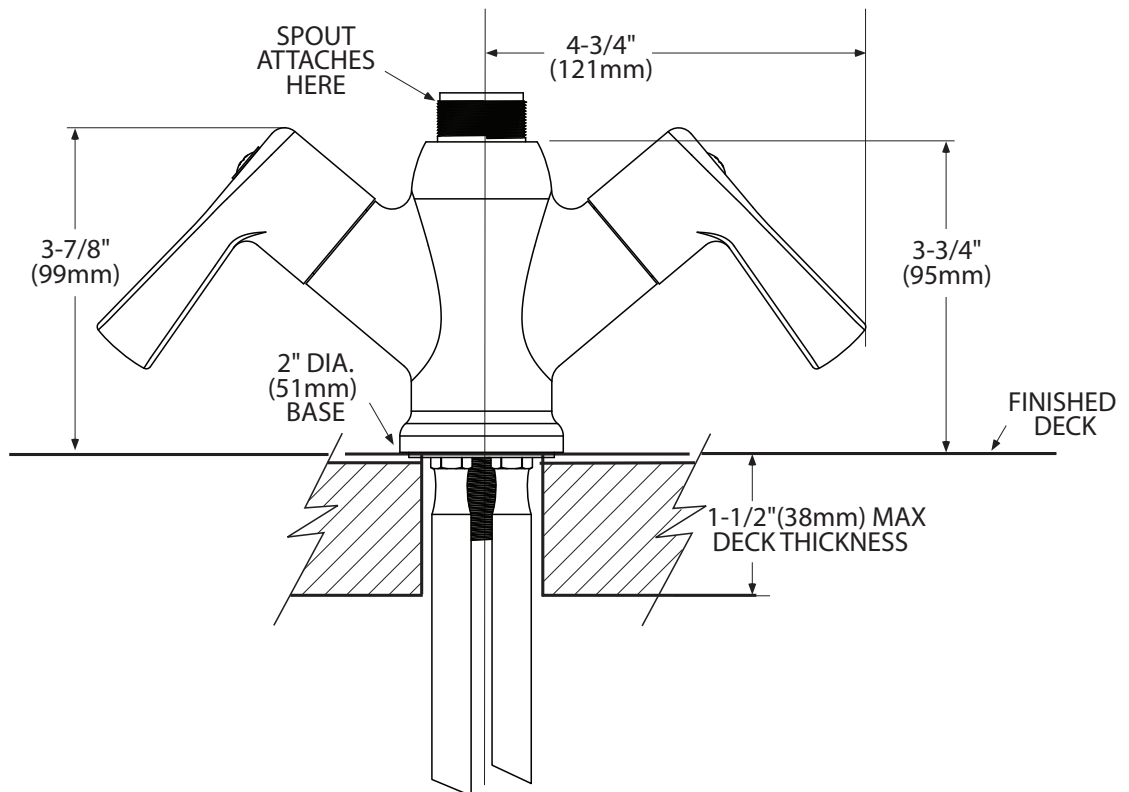


**Two Handle Laboratory Faucet**

**Model: 8110 (Chrome)**



**NOTE:** DESIGNED TO INSTALL THROUGH 1-1/8" MIN. DIA. HOLE



**CRITICAL DIMENSIONS**

(DO NOT SCALE)