

Single-Handle Pressure Balancing Shower Valve With Hand-Held Shower System

Model: 8346, 8346EP15



DESCRIPTION

- Chrome plated metal construction
- Pressure balancing cycle valve design with 1/4 turn stops
- Contains: hand-held shower with non-positive pause, 30" slide bar, drop ell, vacuum breaker, 69" metal hose and mounting hardware
- **Slide bar is NOT DESIGNED TO BE A GRAB BAR**
- Supplied with vandal resistant screws
- Quick cleaning rubber nozzles

OPERATION

- Temperature valve has ADA compliant lever style handle
- Handle operates counterclockwise through a 270° arc with off at 6 o'clock, and maximum hot at the 9 o'clock position. Shut off in clockwise direction
- Adjustable temperature limit stop
- Pressure balancing mechanism maintains selected discharge temperature to $\pm 2^\circ$
- Single function spray pattern
- Easy to operate pause button (reduces the flow of water to a trickle)

FLOW

- **8346** (2.5gpm/9.5 lpm)
- **8346EP15** (1.5gpm/5.7 lpm); **WaterSense® Certified**

CARTRIDGE

- 1222HD brass cartridge design
- Brass construction with stainless steel materials
- Accommodates back-to-back installations

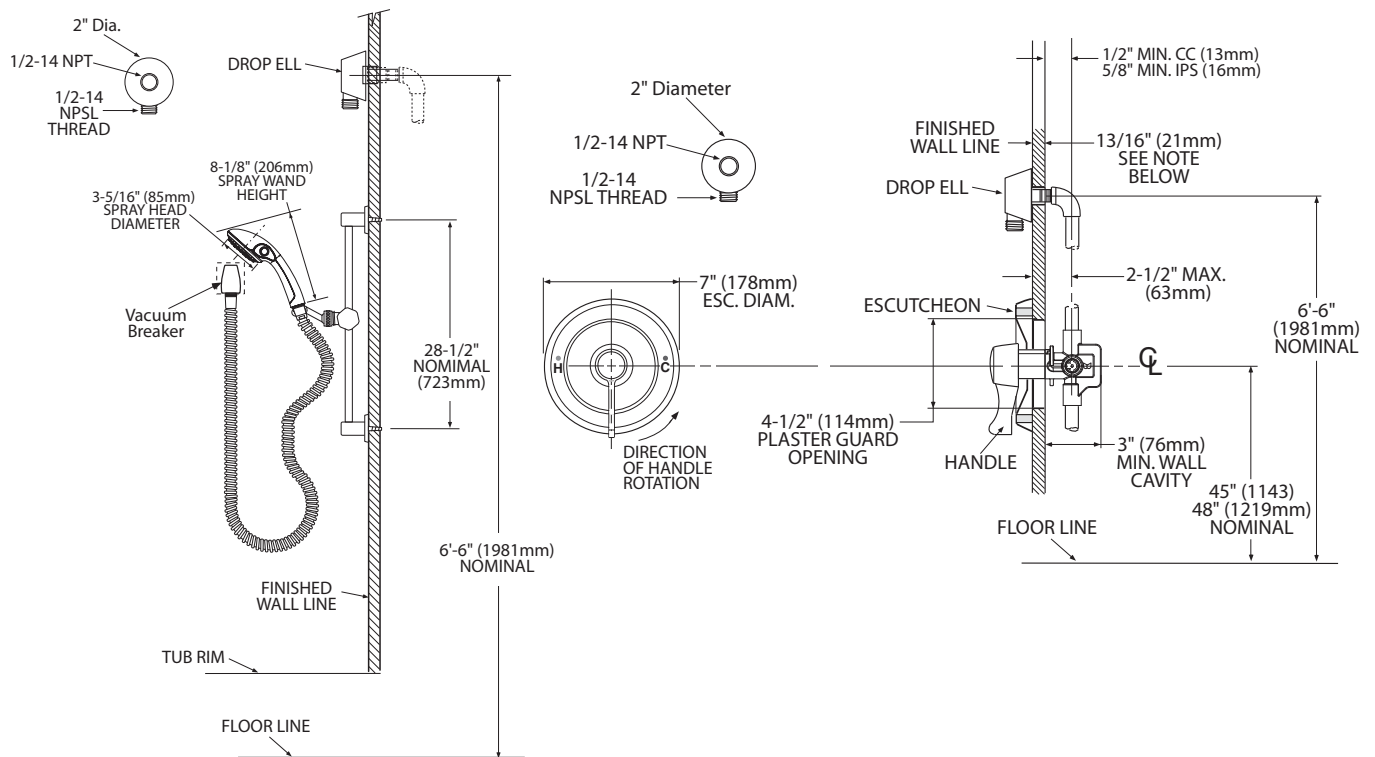
STANDARDS

- Third party certified to ASME A112.18.1/CSA B125.1 and all applicable requirements referenced therein

- **ADA** for lever handle

WARRANTY

- Warranted for 5 years against material or manufacturing defects



CRITICAL DIMENSIONS

(DO NOT SCALE)