

There is more than 1 version of this model.
Page down to identify the version you have.

DESCRIPTION

- Metal construction with chrome plated finish
- 1/2" IPS connections
- Supplied with vandal resistant screws
- Includes side spray with Hydrolock[®] quick connect system

OPERATION

- Lever style handles with hot and cold color indicators
- Rotate the hot side handle 1/4 turn counterclockwise to open (clockwise to close)
- Rotate the cold side handle 1/4 turn clockwise to open (counterclockwise to close)

FLOW

- Aerator is limited to 1.5 gpm max. (5.7 L/min)

CARTRIDGE

- 1224 cartridge design
- Nonmetallic and stainless steel material

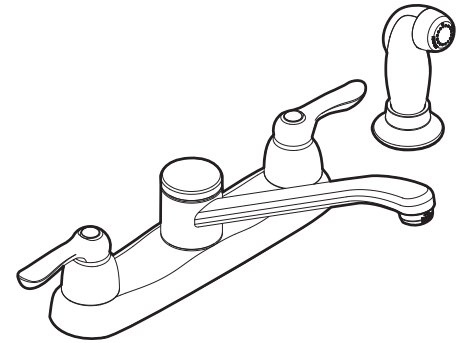
STANDARDS

- Third party certified to meet ASME A112.18.1/CSA B-125.1 and all applicable specifications referenced therein
- Certified to NSF 61/9
- Complies with California Proposition 65 and with the Federal Safe Drinking Water Act

- ADA  for lever handles

WARRANTY

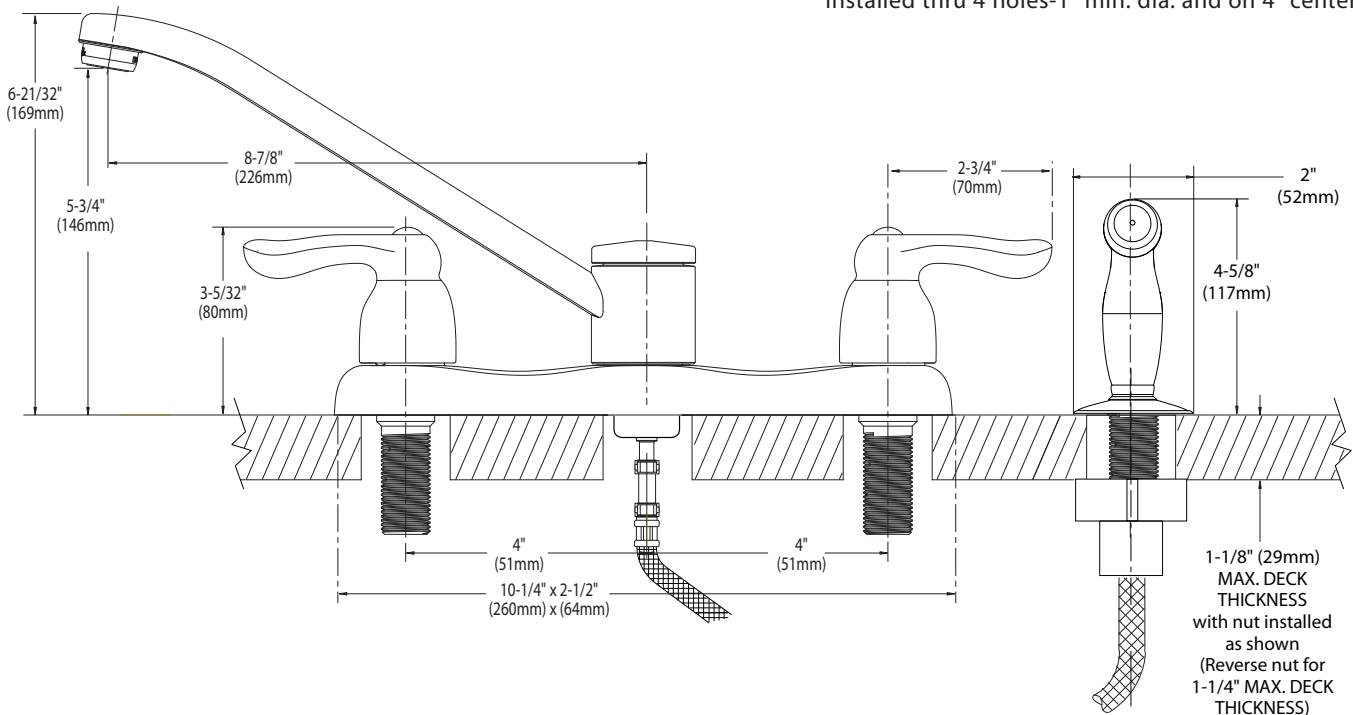
- Warranted for five years against material or manufacturing defects



Two-Handle Kitchen Faucet		
MODEL	FLOW (gpm)	SPRAY
8780	1.5	Without
8791	2.0	Side Spray



NOTE: 8780 is designed to be installed thru 3 holes-1" min. dia. and on 4" centers. 8791 is designed to be installed thru 4 holes-1" min. dia. and on 4" centers.



CRITICAL DIMENSIONS

(DO NOT SCALE)

DESCRIPTION

- Metal construction with chrome plated finish
- 1/2" IPS connections
- Supplied with vandal resistant screws
- Includes hose and spray

OPERATION

- Lever style handles with hot and cold color indicators
- Rotate the hot side handle 1/4 turn counterclockwise to open (clockwise to close) and rotate the cold side handle 1/4 turn clockwise to open (counterclockwise) to close


FLOW

- 2.2 MAX. gpm (8.3 L/min) aerator

CARTRIDGE

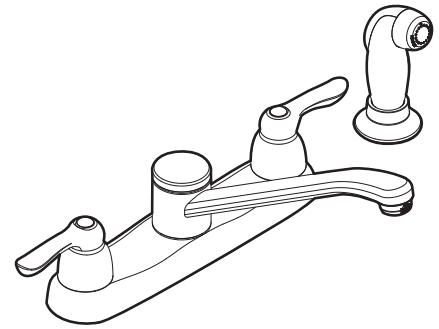
- 1224 cartridge design
- Nonmetallic and stainless steel material

STANDARDS

- Third party certified by CSA to meet CSA B-125 and ASME A112.18.1M and all applicable specifications referenced therein and complies with the requirements of ANSI A117.1, NSF 61/9, and California Proposition 65.
- **ADA**  for lever handles

WARRANTY

- Warranted for 5 years against material or manufacturing defects

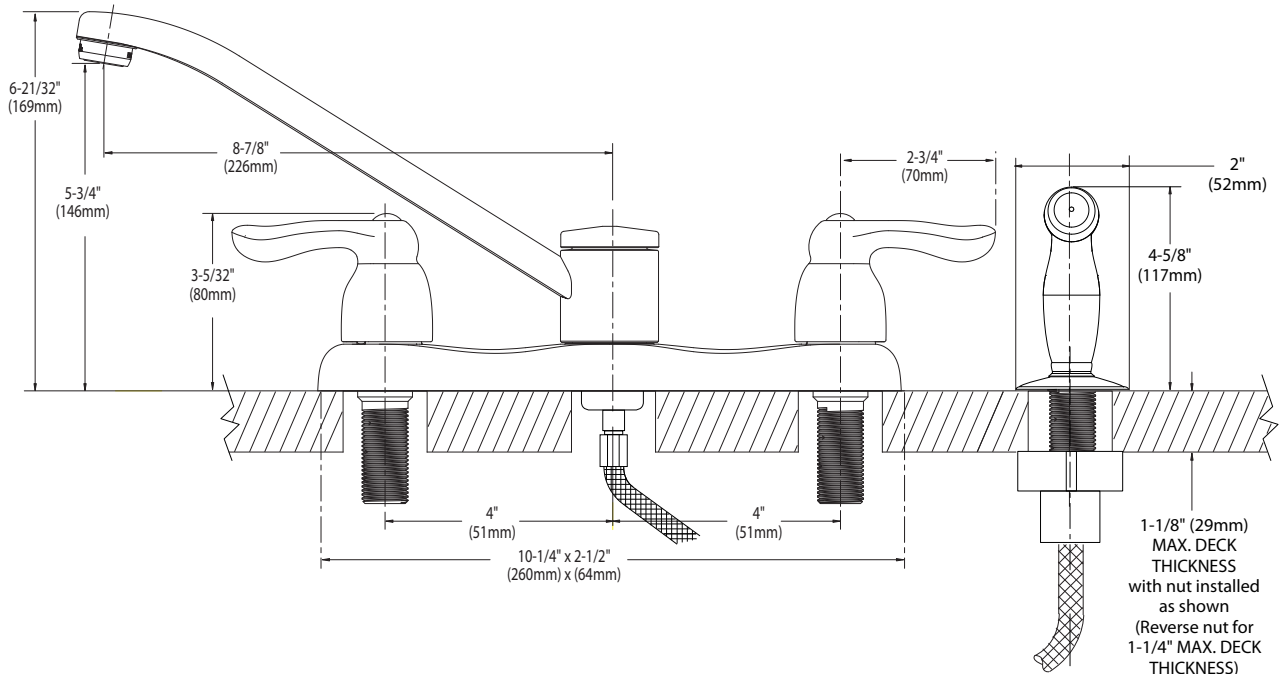


Two-Handle Kitchen Faucet with Side Spray

Model: 8791 with side spray

Model: 8780 less side spray

NOTE: Designed to be installed through 4 holes - 1" min. dia. and on 4" centers



CRITICAL DIMENSIONS

(DO NOT SCALE)