

Home Care Technical Specification

Hand Held Shower Attachement

DN7080

Stock Numbers:

- **DN7080 – Hand Held Shower Attachement**
White

For use on:

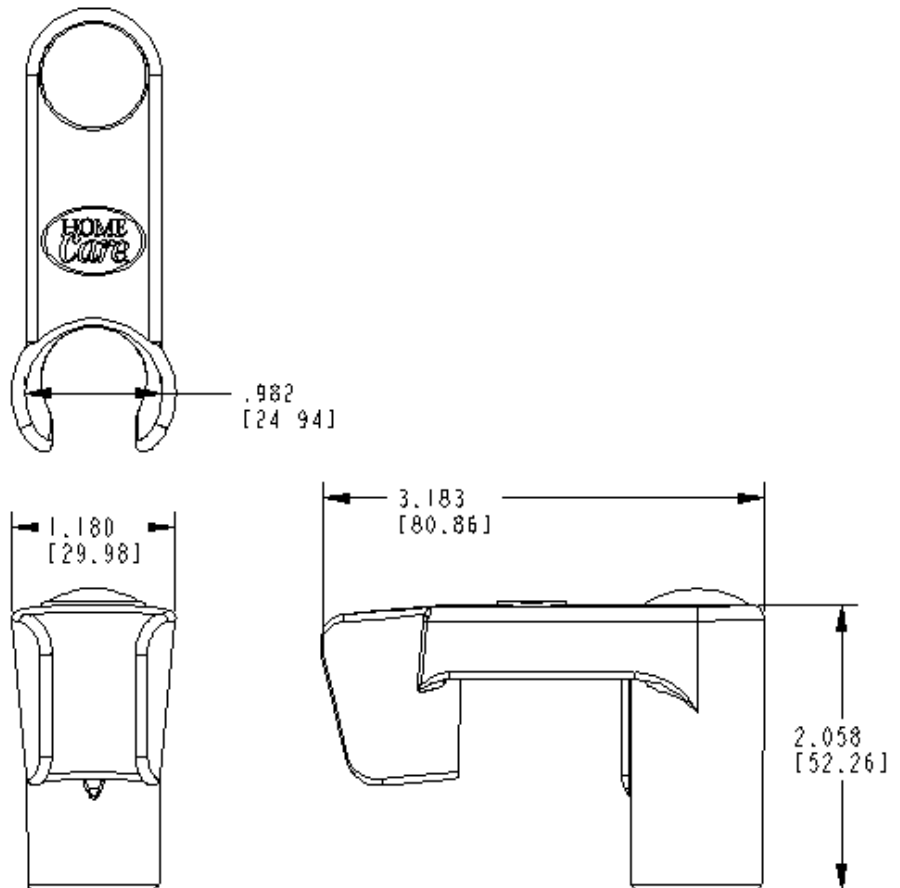
DN7060 – Adjustable Tub / Shower Chair

DN7065 – Transfer Bench

Materials:

Hand Held Shower Attachement is made from ABS plastic.

Dimensions:



Installation Instructions:

No assembly required.

Stock Number: _____ Hand Held Shower Attachement
By Creative Specialties