



Buy it for looks. Buy it for life.®

Specifications

DESCRIPTION


- Metal construction with various finishes identified by suffix

OPERATION

- Lever style handles with hot and cold color indicator
- Rotate hot side handle counterclockwise to open (clockwise to close) and the cold side handle clockwise to open and (counterclockwise to close)

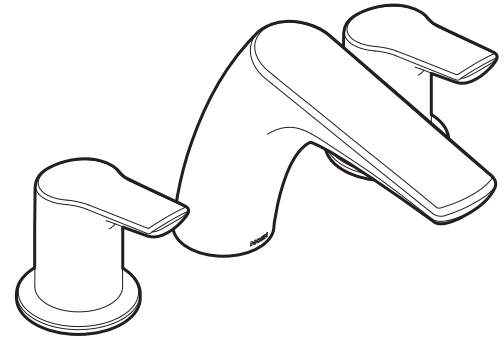
STANDARDS

- Third party certified to CSA B-125.1, ASME A112.18.1, and all applicable requirements referenced therein

- ADA  for lever handles

WARRANTY

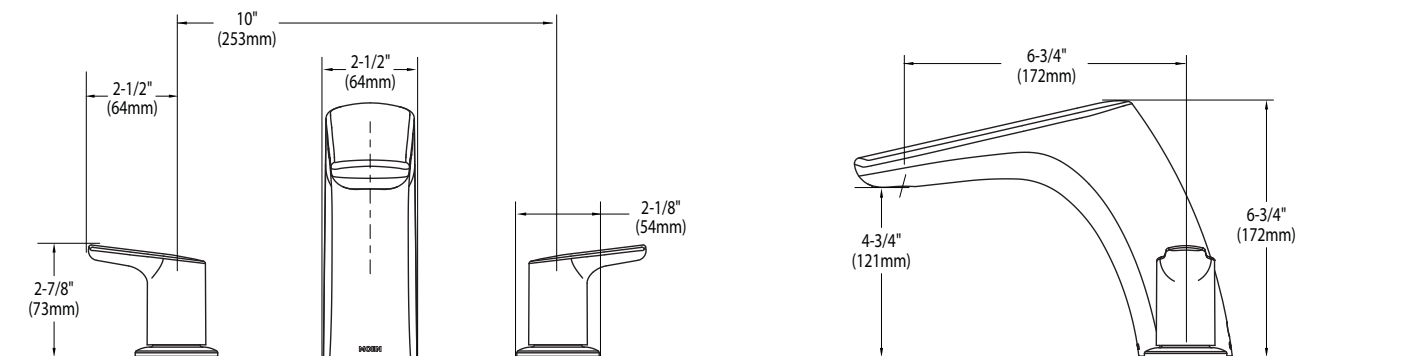
- Lifetime limited warranty against leaks, drips and finish defects to the original consumer purchaser
- 5 year warranty if used in commercial installations



METHOD™
Two-Handle Roman Tub Faucet Trim

Models: T986 series

Valves: 4992, 4993, 4996, 4997, 4999,
64997, 64999



CRITICAL DIMENSIONS

(DO NOT SCALE)

FOR MORE INFORMATION CALL: 1-800-BUY-MOEN

www.moen.com