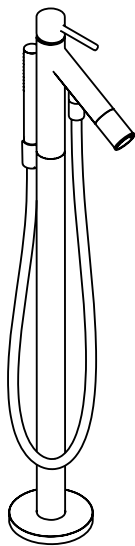


Installation Instructions / Warranty



Starck
10456XX1

AXOR[®]
hansgrohe

Starck free-standing tub filler trim 10456XX1

Technical Specification

Maximum water pressure	145 psi
Recommended water pressure	14.5 - 72 psi
Maximum hot water temp.	176°*
Recommended hot water temp	120° - 140°*
Max. flow rate @ 45 psi	5.8 gpm

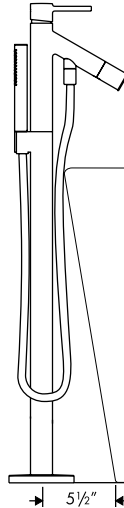
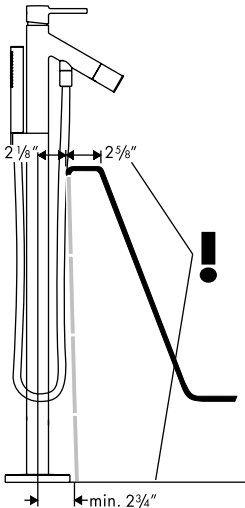
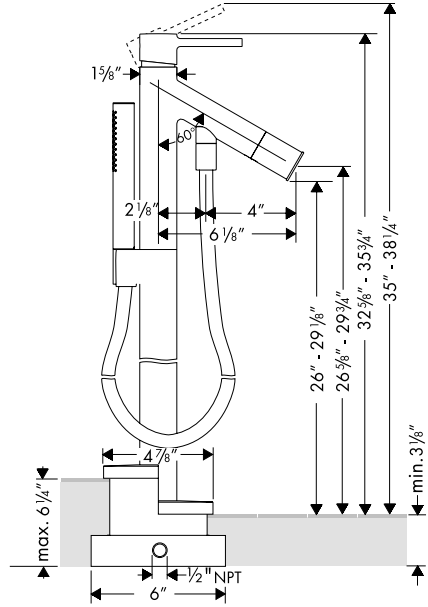
This unit is not anti-scald. If anti-scald capability is desired, is or required by local plumbing codes, install remote pressure balancing valve 13418181 to the hot and cold supplies before they go into the 10452181 rough.

The handshower is protected against back siphonage with a check valve. The check valve should be inspected and cleaned yearly.

Installation considerations:

Rough-in 10452181 must be installed, and the finished floor complete before installation of this trim kit.

An 8 mm allen wrench (not included) is required for installation. 8 mm allen wrenches are available at hardware and auto parts stores.

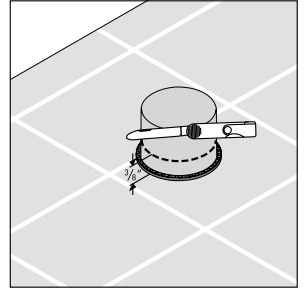


Installation with Hoesch
Philippe Starck Edition
II tub

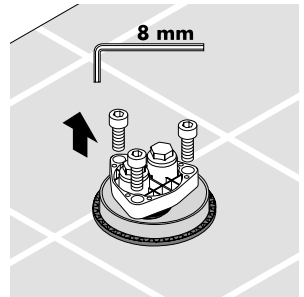
*Many municipalities require that the water heater be set no higher than 120°. Please know and follow all applicable plumbing codes when setting the temperature on the water heater.

Installation Instructions

- Turn off the water at the main.
- Cut the plaster shield so that it extends $3/8$ " above the surface of the finished floor.

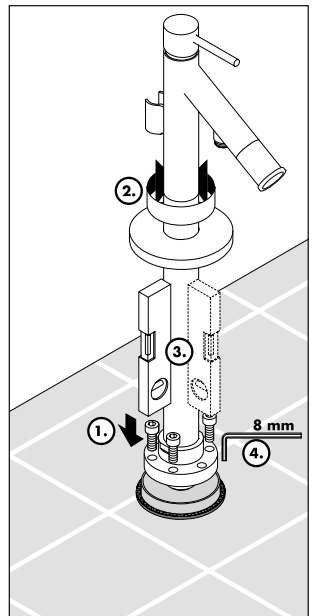


- Use an 8 mm allen wrench (not included) to remove the three screws from the flush housing. Remove the flush housing. Do not discard the screws.
- Use the reserved screws to attach the trim to the rough. Pivot the

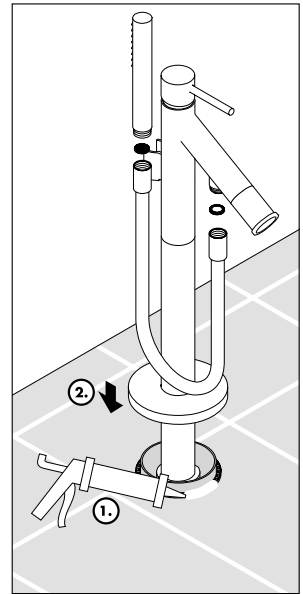


top of the trim so that the spout faces the correct direction. Use a level to make sure that the unit is straight.

- Seal the floor around the plaster shield with a waterproof,

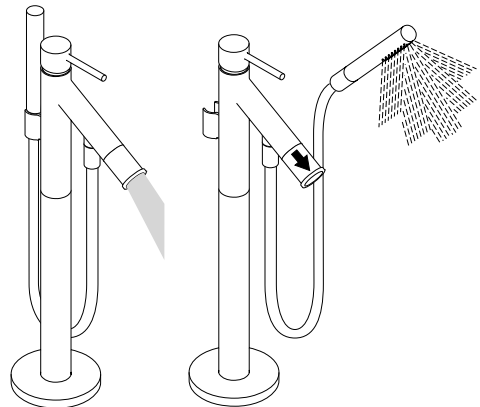


non-staining bathroom sealant suitable for the floor material. Gently guide the escutcheon to the floor. Insert a black rubber gasket in one end of the hose, and screw it to the hose outlet. Insert a second black rubber washer in the other end of the hose and screw it to the handshower. Seat the handshower in the handshower holder.

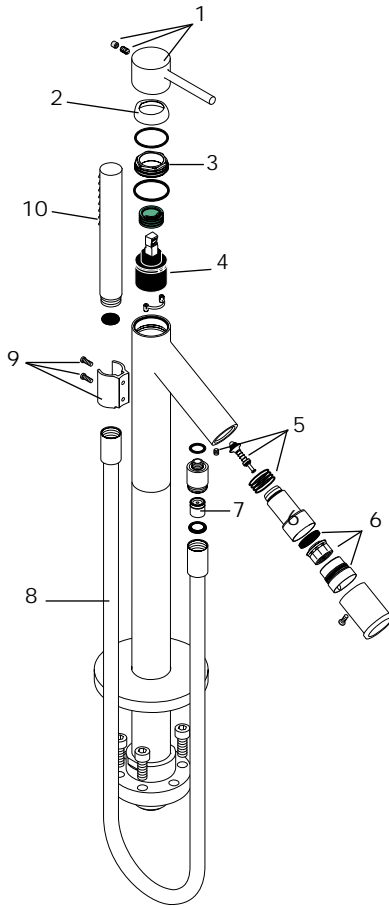


User Instructions:

- Pivot the lever handle up to turn the water on. Pivoting the handle to the left makes the water warmer, to the right makes the water cooler.
- When the water is turned on, it will come out through the spout. To divert water to the handshower, pull the end of the spout.
- When the water is turned off, the diverter will automatically re-set to the spout position.
- The handshower uses the Rubit!TM self cleaning system. If mineral scale deposits are noticed in the spray channels, clear them by turning the water on lightly and rubbing across the spray channels with a finger or a sponge.
- To protect against back siphonage, a check valve is installed to the handspray connection. It should be removed and cleaned yearly.



Service Parts



1	handle	10093XXX
2	nut cover	96763XXX
3	nut	97209000
4	cartridge	92730000
5	diverter	96294000
6	aerator	96296000
7	check valve	94074000
8	handshower hose	28282XXX
9	handshower holder	96295000
10	handshower	28531XX1

Cleaning Recommendation for Hansgrohe Products

Modern faucetry and shower products utilize a combination of materials to comply with the needs of the market with regard to design and functionality.

To avoid damage, it is necessary to use some caution when cleaning. Damage caused by improper treatment is not covered under the Hansgrohe warranty.

Cleaning Materials for Faucets and Showers

- To remove lime scale, use only products made specifically for that purpose. Always follow the manufacturer's instructions when using.
- Do not use cleaners that contain hydrochloric, formic, acetic, or phosphoric acids, as these will cause considerable damage to finishes and to plastic components.
- Never mix cleaning materials.
- Never use cleaners containing abrasives. Do not use abrasive cleaning cloths, pads, or sponges.

Cleaning Procedures

- Clean your faucets and shower products as and when required. Regular cleaning will prevent scale buildup and water spotting.
- Follow the label instructions. Do not allow any cleaner to remain on the product for longer than necessary.
- When using spray cleaners, spray first onto a sponge or cloth – do not spray directly onto the product.
- After cleaning, rinse thoroughly with clear water to remove any cleaner residue.

Important

- Soap and shampoo residue can also cause damage to the product. Rinse well with clean water after use.
- If the surface is already damaged, harsh cleaning materials will cause further damage.

Limited Lifetime Consumer Warranty

This product has been manufactured and tested to the highest quality standards by Hansgrohe, Inc. ("Hansgrohe"). This warranty is limited to Hansgrohe products which are purchased by a consumer in the United States after March 1, 1996, and installed in either the United States or Canada.

WHO IS COVERED BY THE WARRANTY

This warranty extends to the original consumer purchaser only.

WHAT IS COVERED BY THE WARRANTY

This warranty covers only your Hansgrohe manufactured product. Hansgrohe warrants this product against defects in material or workmanship as follows: Hansgrohe will repair at no charge for parts only or, at its option, replace any product or part of the product which proves defective because of improper workmanship and/or material, under normal installation, use, service and maintenance. If Hansgrohe is unable to provide a replacement and repair is not practical or cannot be timely made, Hansgrohe may elect to refund the purchase price in exchange for the return of the product.

LENGTH OF WARRANTY

Replacement or repaired parts of products will be covered for the term of this warranty as stated in the following two sentences. If you are a consumer who purchased the product for use primarily for personal, family, or household purposes, this warranty extends for as long as you own the product and the home in which the product is installed. If you purchased the product for use primarily for any other purpose, including, without limitation, a commercial purpose, this warranty extends only (i) for 1 year, with respect to Interaktiv and Retroaktiv products, and (ii) for 5 years, with respect to AXOR, ShowerPower and Pharo products.

THIS WARRANTY DOES NOT COVER, AND HANSGROHE WILL NOT PAY FOR:

- A. Conditions, malfunctions or damage not resulting from defects in material or workmanship.
- B. Conditions, malfunctions or damage resulting from (1) improper installation, improper maintenance, misuse, abuse, negligence, accident or alteration, or (2) the use of abrasive or caustic cleaning agents or "no rinse" cleaning products, or the use of the product in any manner contrary to the product instructions.
- C. Labor or other expenses for the disconnection or return of the product for warranty service, or for installation or reinstallation of the product.
- D. Accessories or related products not manufactured by Hansgrohe.

TO OBTAIN WARRANTY SERVICE

Contact your Hansgrohe retailer, or write to Technical Service at:

Hansgrohe Inc.
1492 Bluegrass Lakes Parkway
Alpharetta GA 30004

Or, call Hansgrohe toll-free at (800) 334-0455.

In requesting warranty service, you will need to provide

- 1. The sales receipt or other evidence of the date and place of purchase.
- 2. A description of the problem.
- 3. Delivery of the product or the defective part, postage prepaid and carefully packed and insured, to Hansgrohe Inc. 1492 Bluegrass Lakes Parkway, Alpharetta, Georgia 30004, Attention: Technical Service, if required by Hansgrohe.

When warranty service is completed, any repaired or replacement product or part will be returned to you postage prepaid.

EXCLUSIONS AND LIMITATIONS

REPAIR OR REPLACEMENT (OR, IN LIMITED CIRCUMSTANCES, REFUND OF THE PURCHASE PRICE) AS PROVIDED UNDER THIS WARRANTY IS THE EXCLUSIVE REMEDY OF THE PURCHASER. HANSGROHE NEITHER ASSUMES NOR AUTHORIZES ANY PERSON TO CREATE FOR IT ANY OBLIGATION OR LIABILITY IN CONNECTION WITH THIS PRODUCT.

HANSGROHE SHALL NOT BE LIABLE TO PURCHASER OR ANY PERSON FOR ANY INCIDENTAL, SPECIAL, OR CONSEQUENTIAL DAMAGES, ARISING OUT OF BREACH OF THIS WARRANTY OR ANY IMPLIED WARRANTY (INCLUDING MERCHANTABILITY).

Some States do not allow the exclusion or limitation of incidental or consequential damages, so the above limitation or exclusion may not apply to you.

This warranty gives you specific legal rights, and you may have other rights which vary from State to State.

You may be required by law to give us a reasonable opportunity to correct or cure any failure to comply before you can bring any action in court against us under the Magnuson-Moss Warranty Act.

PRODUCT INSTRUCTIONS AND QUESTIONS

Upon purchase or prior to installation, please carefully inspect your Hansgrohe product for any damage or visible defect. Prior to installing, always carefully study the enclosed instructions on the proper installation and the care and maintenance of the product. If you have questions at any time about the use, installation, or performance of your Hansgrohe product, or this warranty, please call or write to us at the toll-free number and address printed above.

hansgrohe

Hansgrohe, Inc. • 1490 Bluegrass Lakes Parkway • Alpharetta, GA 30004
Tel. 770 360-9880 • Fax 770 360 9887
www.hansgrohe-USA.com