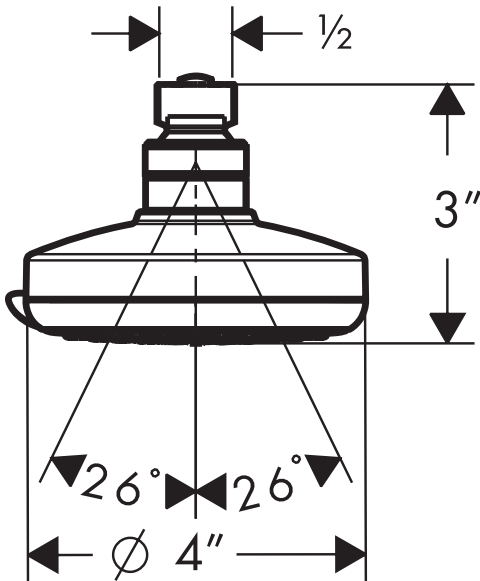


Product Features

- Oversized 4" spray face
- Features Quiclean™ function
- Full spray, massage, and intense massage
- EcoAir technology
- AIR injection technology
- 75 no-clog spray channels
- Flow rate 1.75 GPM – 30% savings

Available Finishes

Chrome	04081000
Brushed Nickel	04081820
Polished Brass	04081930



Optional Accessories

1/2" Shower arm – many styles available

The measurements shown are for reference only.

Products and specifications shown are subject to change without notice.

Specification sheet revised 4/2008