

Side

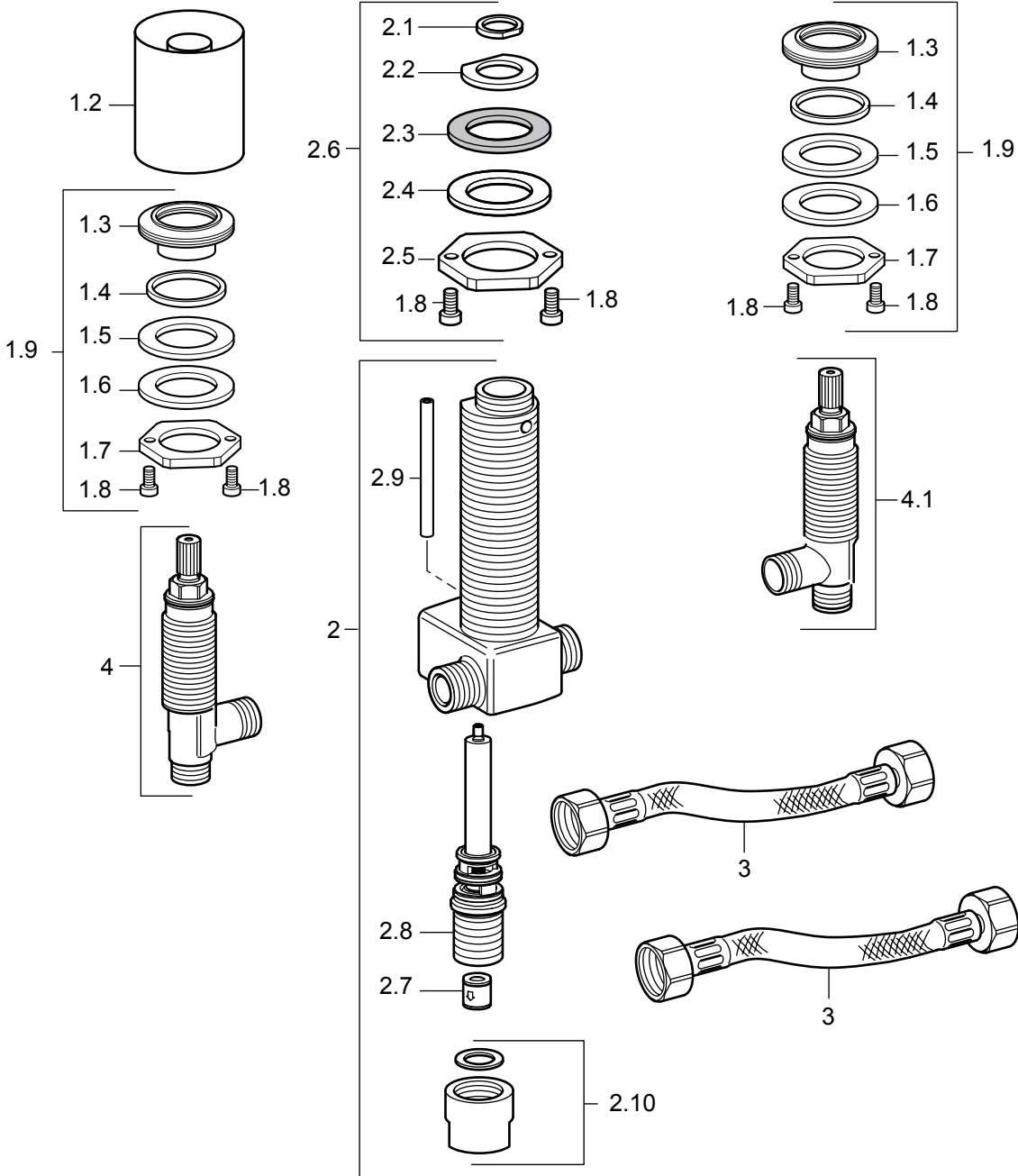
**S 01.40.1**



**HANSA**

Sigmaringer Straße 107  
70567 Stuttgart  
Postfach 81 02 40  
70519 Stuttgart

Telefon: 07 11/16 14-0  
Telefax: 07 11/16 14-3 68  
www.hansa.de



Roman tub rough-in, 4-hole two-handle with diverter, HansaForm

Nr. 5870 0200

Starting in 11/08

