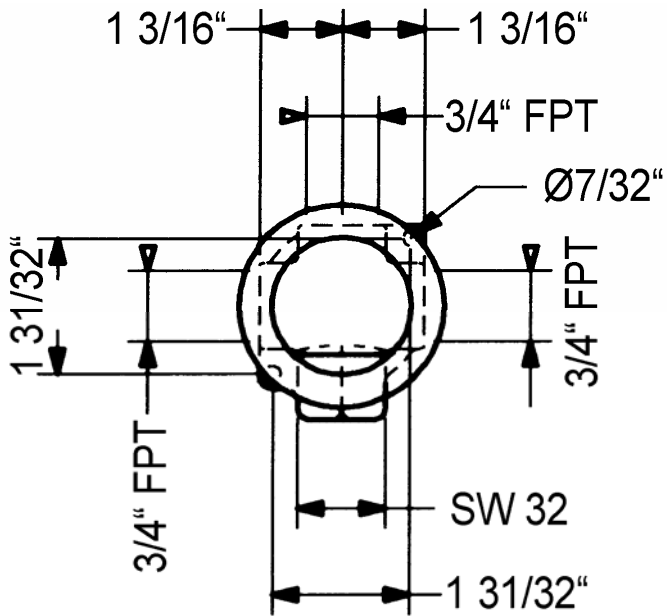
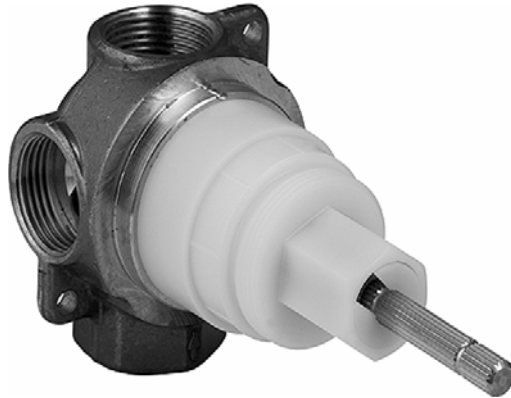




HANSA 3/4" Multiport Diverter Valve 0285 0100 0017



Product Specification

Multiport diverter rough-in
 $\frac{3}{4}$ " FPT

Flow Rate:
24gpm@60psi

*Complete unit consists of rough-in and trim kit, to be ordered separately.