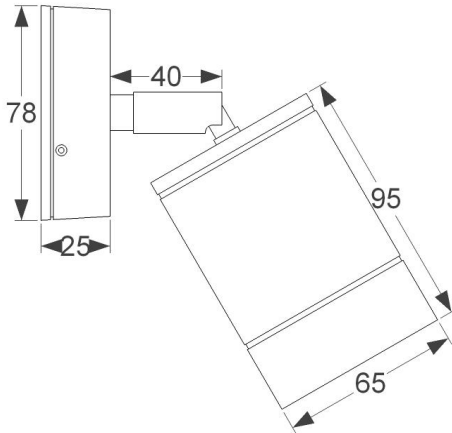


## Data Specification Sheet



### WALL3LBK GU10 Wall Mounted Fitting

<b>Code</b>	WALL3LBK
<b>Description</b>	GU10 Wall mounted adjustable IP65 Fitting
<b>Finishes available</b>	Black
<b>Overall dimensions (mm)</b>	See above
<b>Product Weight</b>	475 grams
<b>Recommended product location</b>	Indoor or Outdoor (Not recommended for food preparation areas)
<b>Lamp Supplied</b>	No
<b>Voltage (V)</b>	230V 50Hz
<b>Maximum Lamp Wattage (W)</b>	35Watts
<b>Class</b>	Class I. Must be Earthed
<b>IP</b>	IP65
<b>Distance from lighted object</b>	0.3M
<b>Photometric Testing</b>	Not available
<b>Instruction sheet</b>	Yes
<b>Origin of manufacture</b>	China
<b>Main materials:</b>	
• <b>Body &amp; Base</b>	Die Cast Aluminium
• <b>Glass</b>	Tempered Glass, Temperature Rated To 300°C.
• <b>Reflector</b>	N/A
<b>Method of fix</b>	Wall mounting base plate 2 x screw 40mm centres
<b>Lampholder cap</b>	GU10
<b>Lamp type and base</b>	GU10 35watt Max – GU10 LED
<b>Electrical Connections</b>	10A L.E.N. Nylon Connector, Screw Terminals
<b>Cable rating (mm SQ /C.S.A.) &amp; type</b>	N/a
<b>CE mark</b>	Yes
<b>Quality Assurance System</b>	Yes ISO 9001 QMS
<b>Batch coding details on product</b>	Yes
<b>Certificate of Conformity (Held on File)</b>	Yes
<b>Manufactured in accordance to:</b>	EN60 598-2-5
<b>Warranty</b>	1 year