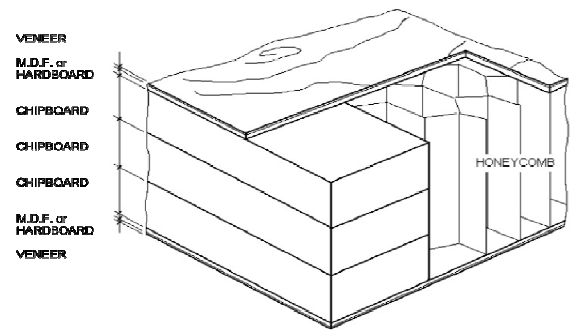


## General Product Information

A majority of our product's components consist of straight panels which are made up of the following raw materials:

- Chipboard
- Medium Density Fiberboard (MDF or fiber board)
- Honeycomb
- Veneer (cherry, oak\*, beech\* and walnut)
- Glue
- Varnish or paint
- \* Our chocolate finish is a stained oak veneer and our wenge is a stained beech veneer.



All 1.6 cm thick components are made of regular chipboard or particle board. Thicker components are made of sandwich construction with a solid chipboard frame. Additional cross bars are used for larger elements.

The honeycomb inlay provides stability and strength to the products. The panels are then varnished or lacquered depending on the piece.

Wood is a living material and as such suffers changes caused by the environment. Sunlight and, especially, ultra violet light accelerate the darkening or lightening of wood depending on the veneer. This phenomenon is most evident in light woods.

We recommend that during the first days of exposure to light, the objects placed on the furniture are moved around frequently to allow for the darkening/ lightening of wood to be even without causing spots.

TemaHome products are intended solely for residential use and are unsuitable for intensive use such as in restaurants, bars, etc. Our varnish offers ISO standard resistance for household use.

Like other veneered / wood products, our furniture is sensible to liquids and heat. Normal resistance is a few minutes but if water is left on the furniture for a long period of time it will result in the absorption and expansion of the wood finish. In addition, hot plates or cups should not be placed directly on the surface.

For the maintenance of the surfaces, normal furniture cleaning products that are non-abrasive should be used. Clean with a damp cloth and avoid solvents.