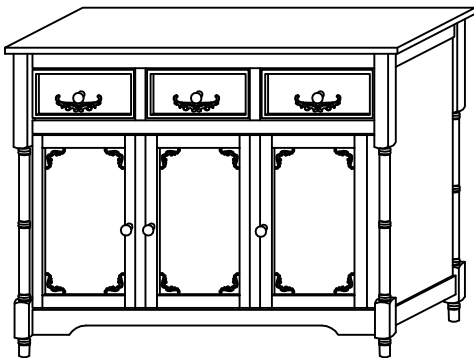
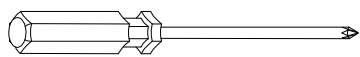
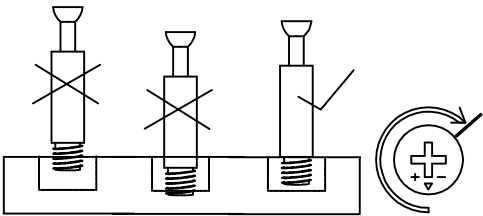
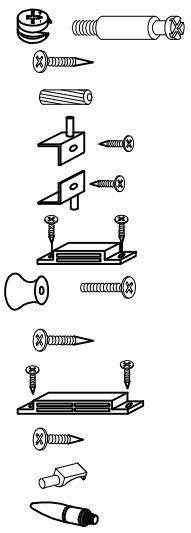
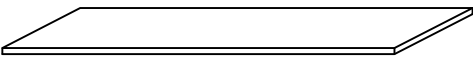
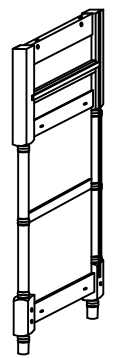

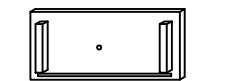
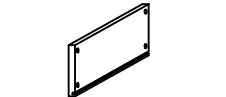
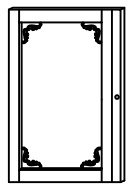
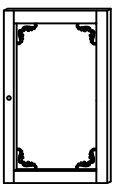

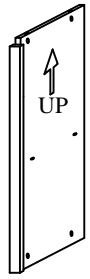

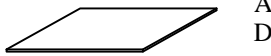
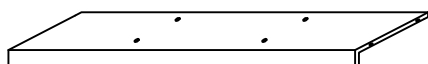
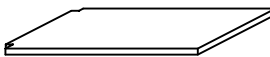

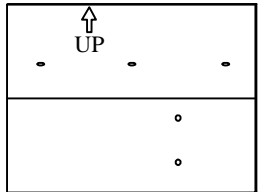
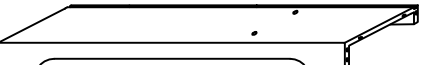
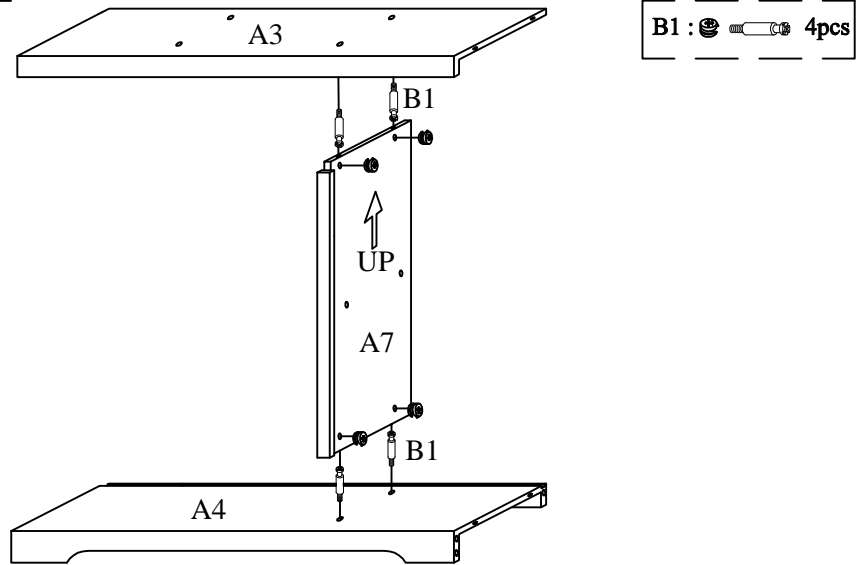


Assembly Instructions	Tools Required	Hardware Provided
<p style="text-align: center;"><b>Style # R1021 &amp;R1121 Console</b></p>  <p>It is recommended that this item should be assembled by two adults. Please read this assembly instruction carefully before assembly.</p>	 <p style="text-align: center;"><b>Phillips screwdriver</b></p>  <p>Note: Please don't over tighten the cam screws. Assure the cam screw fits in the plastic threaded insert. Otherwise, the cam nut might not be able to catch the cam screws.</p>	 <ul style="list-style-type: none"> <li>B1 26SETS</li> <li>B2 24PCS</li> <li>B3 7PCS</li> <li>B4 3SETS</li> <li>B5 3SETS</li> <li>B6 1SETS</li> <li>B7 6SETS</li> <li>B8 4PCS</li> <li>B9 1SETS</li> <li>B10 5PCS</li> <li>B11 4PCS</li> <li>B12 1PCS</li> </ul> <p>Apply a little glue B12 into the wood dowel holes when inserting wood dowels.</p>

## Furniture Parts

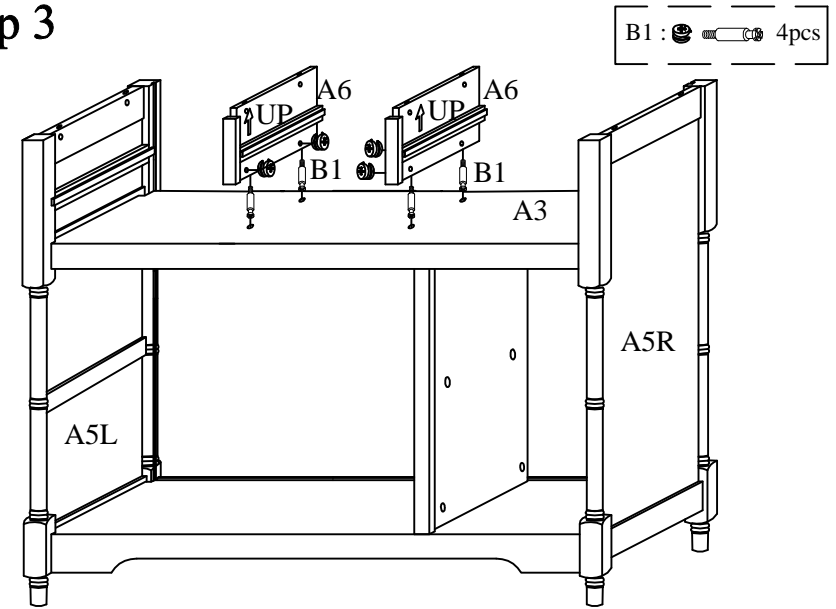
 <p>A1 1PC Top Panel</p>	 <p>A5(L&amp;R) 2PCS Side Panel</p>	 <p>A6 2PCS Divider</p>	 <p>A8 3PCS Drawer Front Panel</p>	 <p>A9 6PCS Drawer Side Panel</p>	 <p>A14 1PC Door</p>	 <p>A15 2PCS Door</p>
 <p>A2 1PC Cross Bar</p>		 <p>A7 1PC Divider</p>	 <p>A10 3PCS Drawer Back Panel</p>	 <p>A11 3PCS Drawer Bottom Panel</p>		
 <p>A3 1PC Shelf</p>			 <p>A12 1PCS Adjustable Shelf</p>	 <p>A13 1PCS Adjustable Shelf</p>	 <p>A16 1PC Back Panel</p>	
 <p>A4 1PC Bottom Panel</p>						

## Step 1



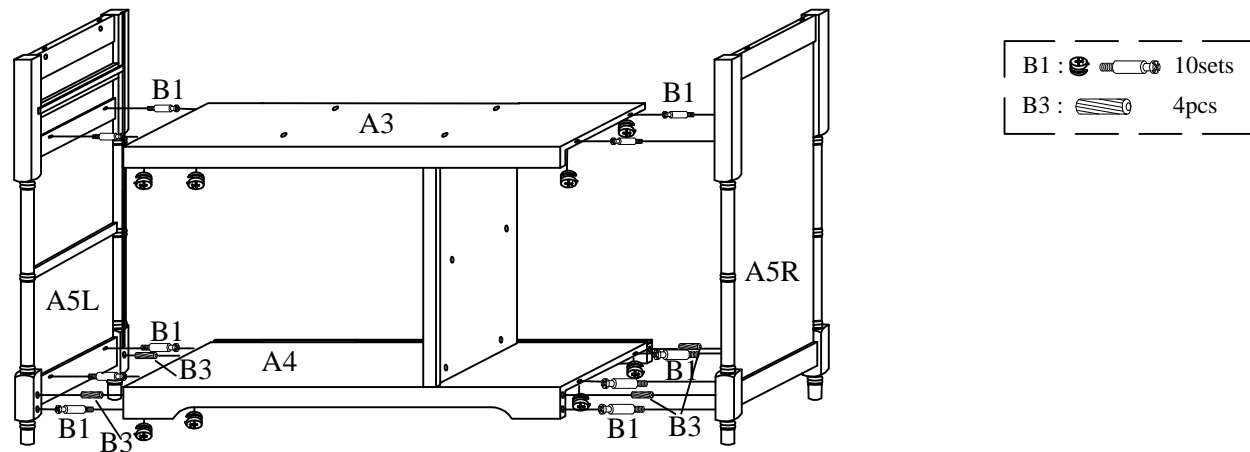
Assemble the divider A7 to shelf A3 and bottom panel A4 using camlocks B1 .

## Step 3



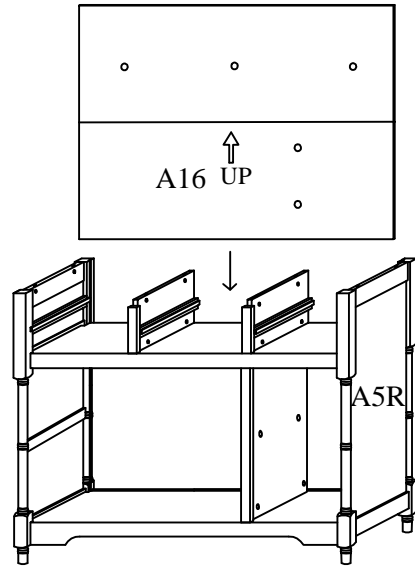
Assemble the dividers A6 to shelf A3 using camlocks B1 .

## Step 2



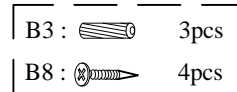
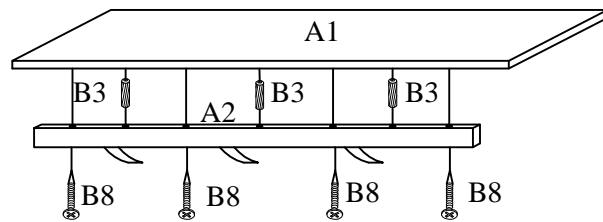
Assemble the side panels A5(R&L) to shelf A3 and bottom panel A4 using camlocks B1 and wood dowels B3.

### Step 4



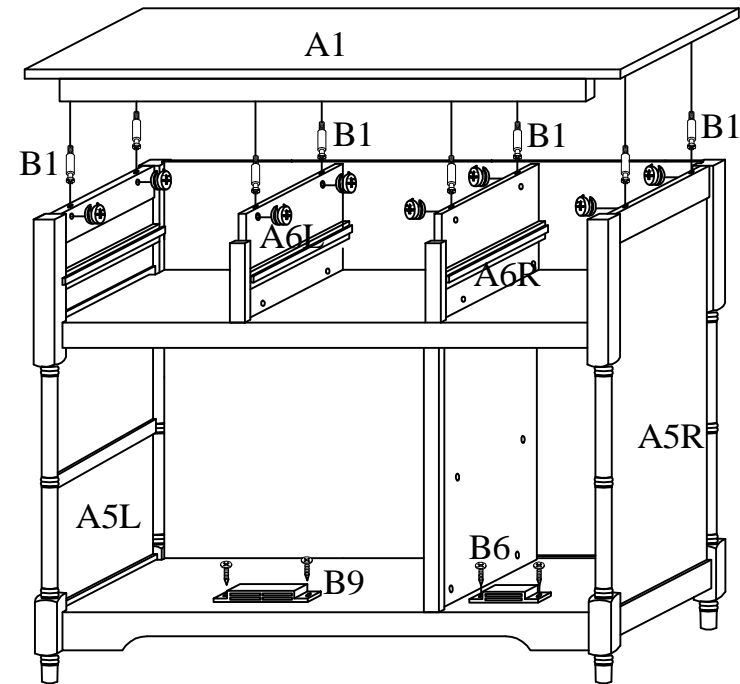
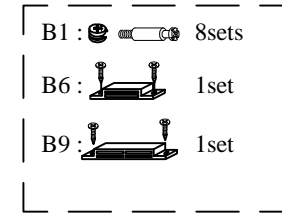
Insert the back panel A16 into the grooves of side panels A5(R&L) and bottom panel A4.

### Step 5



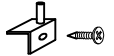


Assemble the front cross bar A2 to the bottom of top panel A1 with screws B8 and wood dowels B3.

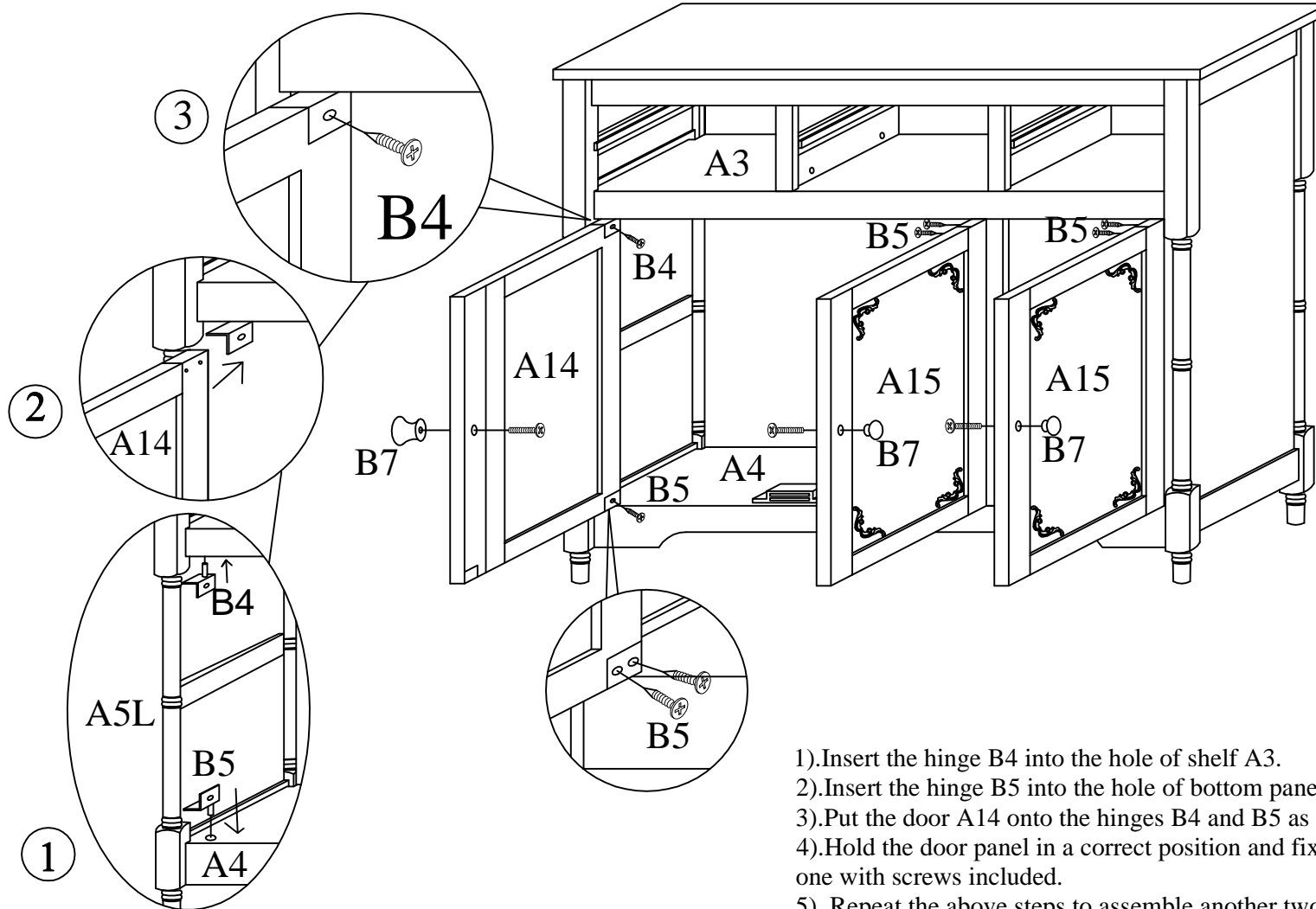
### Step 6



- 1). Assemble the top panel A1 to the side panels A5(R&L) and divider A6 with camlocks B1 .
- 2). Assemble the magnets B9 and B6 onto the bottom panel A4.

# Step 7

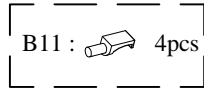
B4 :		3sets
B5 :		3sets
B7 :		3sets



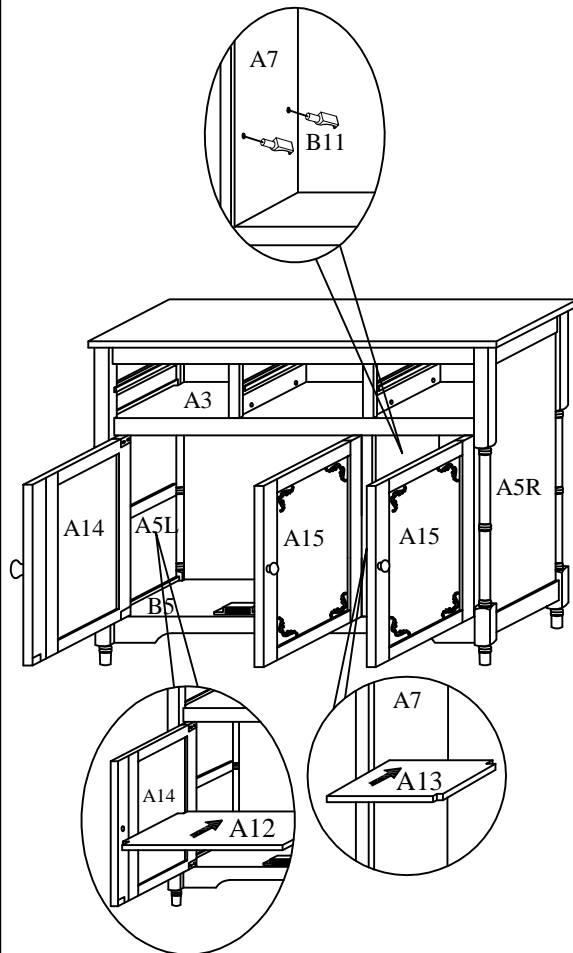
- 1).Insert the hinge B4 into the hole of shelf A3.
- 2).Insert the hinge B5 into the hole of bottom panel A4.
- 3).Put the door A14 onto the hinges B4 and B5 as above picture shown.
- 4).Hold the door panel in a correct position and fix the hinges to the door one by one with screws included.
- 5). Repeat the above steps to assemble another two doors A15.
- 6).Assemble the door knobs B7 to the doors A14,A15 with included bolts.

Note: You could re-regulate the hinges B4 & B5 with screws if you want to adjust the door gap.

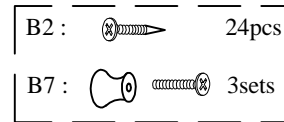
## Step 8



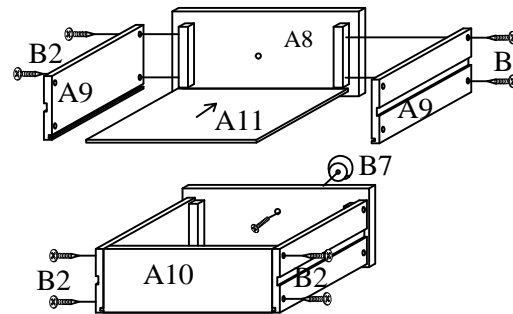
- 1).Insert the shelf supports B11 into the holes of divider A7 .
- 2).Put the adjustable shelf A12,A13 onto the shelf supports B11.



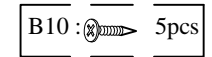
## Step 9



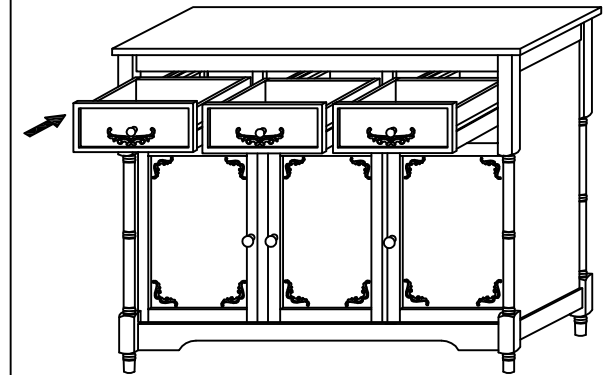
- 1).Insert the bottom panel A11 into the grooves of drawer front panel A8.
- 2).Attached the drawer side panels A9 to bottom panel A11, then assemble the drawer side panels A9 to the drawer front panel A8 using screw B2.
- 3).Assemble the back panel A10 to the side panels A9 with screws B2.
- 4).Assemble the drawer knob B7 to drawer front panel A8.



## Step 10



Put the drawers into the the console buffet.



Tigten the back panel A16 with screws B10 to Shelf A3 and Divider A7 from the back.

