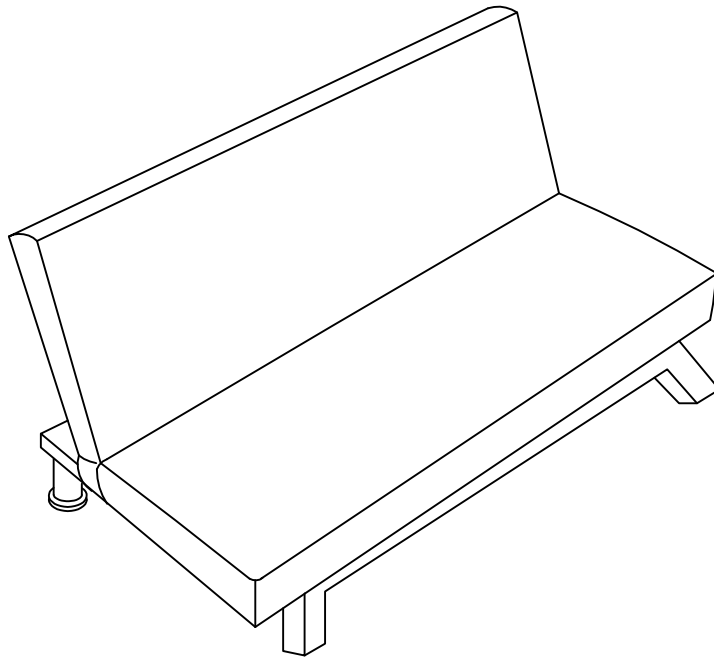
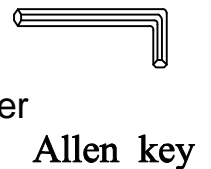
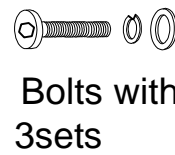
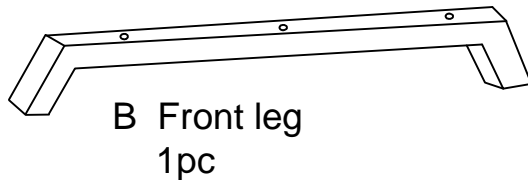
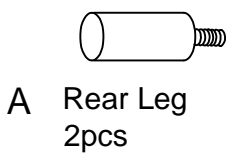


# Assembly instructions

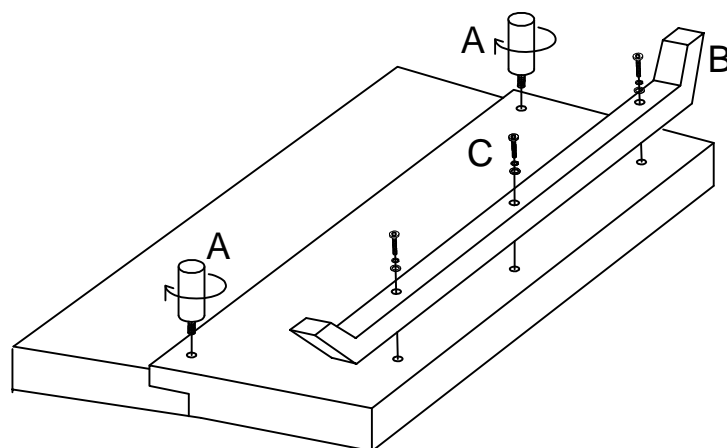
## Style # 020BL-S & S021



### Parts and hardware list



### Assembly



- 1) Attach the rear round tube legs (A) onto the bottom sofa bed, please do not over-turn it.
- 2) Assemble the front leg (B) to the bottom sofa bed using bolts (C) with included washers, please do not tighten before all 3pcs bolts (C) are fit into holes.
- 3) Carefully position the sofa bed so that it is standing right-side up.