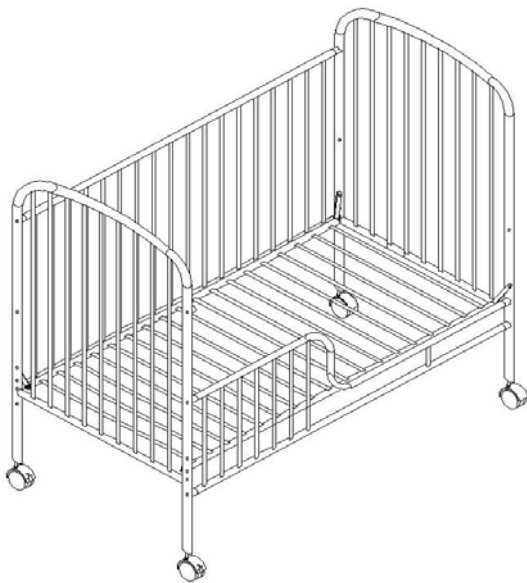


# Two Way Use Metal Crib

## Owner's Manual

Model# 4010



**Please read all the Warnings on Page 2 before you start to assemble the crib & keep this Manual of instruction for future use**

## Important Warning:

Failure to follow these warnings and assembly instructions could result in serious injury or death. Infants can suffocate on soft bedding. Never add a pillow, comforter or padding.

Strings can cause strangulation! Do not place items with a string around a child's neck, such as hood strings and pacifier cords. Do not suspend strings over a crib or attach strings to toys.

To help prevent from strangulation tighten all fasteners. A child can trap parts of the body or clothing on the loosen fasteners.

**DO NOT** place crib near window where cords from blinds or drapes may strangle a child.

When child is able to pull to a standing position, set mattress to lowest position and remove bumper pads, larger toys and other objects that could serve as steps for climbing out

When child is able to climb out or reach the height of 35 in (90cm), the crib shall no longer be used.

To reduce the risk of SIDS, pediatricians recommend healthy infants be placed on their back to sleep, unless otherwise advised by your physician.

Check this product for damaged hardware, loose joints, missing parts or sharp edges before and after assembly and frequently during use. **DO NOT** use crib with any parts are missing, damaged, or broken. Contact TAF furniture (431 TIMPSON PLACE BRONX,N.Y.10455) for replacement parts and instructional literature if need, **DO NOT** substitute parts.

This crib is not designed for a water mattress. **DO NOT USE A WATER MATTRESS ON THIS CRIB**

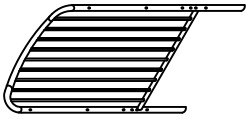
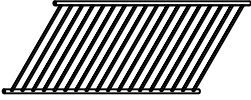
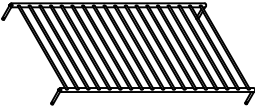
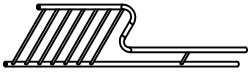

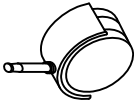
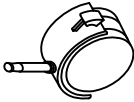
IF RE-FINISHING, USE NON-TOXIC FINISH SPECIFIED FOR CHILD'S PRODUCTS.

Read all instructions before assembling this crib, and keep this instruction for future use.



Never use plastic shipping bags or other plastic film as mattress covers because they can cause suffocation.

Infants can suffocate in gaps between crib side and mattress that is too small

# Parts List

Parts NO	Pictures	Description	Quantity
A		Head board	2
B		Crib Side Guardrails	2
C		Crib platform	1
D		Toddler Guardrail	1
E		Plastic Connector	12
F		Wheel without lock	2
G		Wheel with lock	2

## Hardware Parts

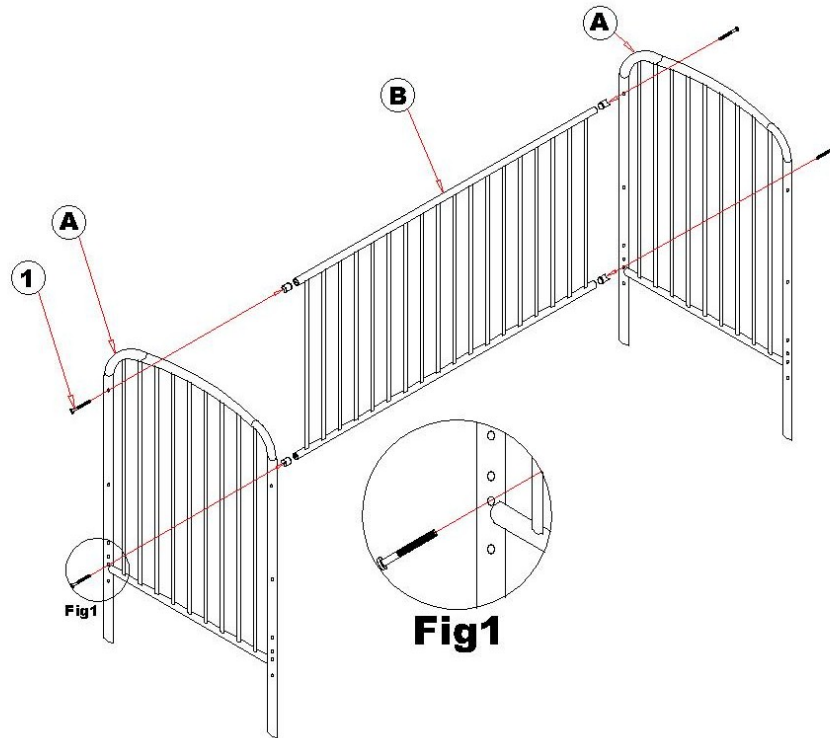
1		Bolt 75mm	8
2		Bolt 30mm	4
3		Nuts 20mm	4
4		Allen key	2

This item is designed for two way of use. One for crib and another for toddler. Please follow the steps to get your desired function.

### Option One Crib Assembling

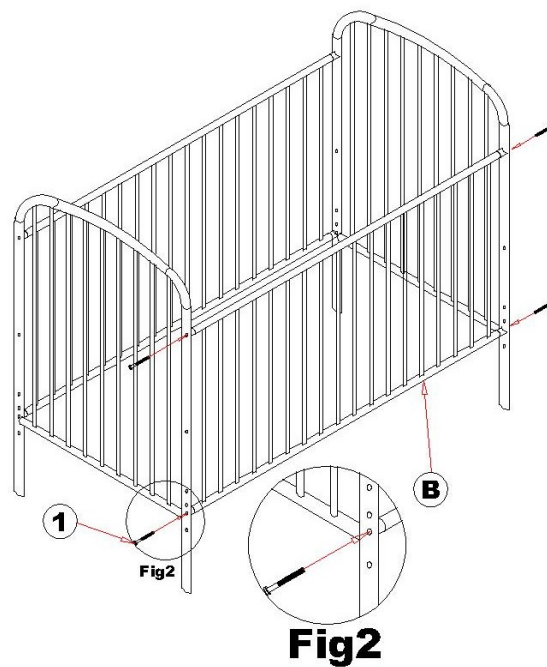
Step 1,

Assemble the Crib Side Rail (B) to Head board (A) use Hardware NO 1 and Plastic Connector E. Please note there are 6 holes on each side of the head board, they are designed to assemble guard rails, platform and also for the toddler guardrail, please make sure to align the correct hole at bottom of the head board, see **Fig 1** for correct assembling



Step 2,

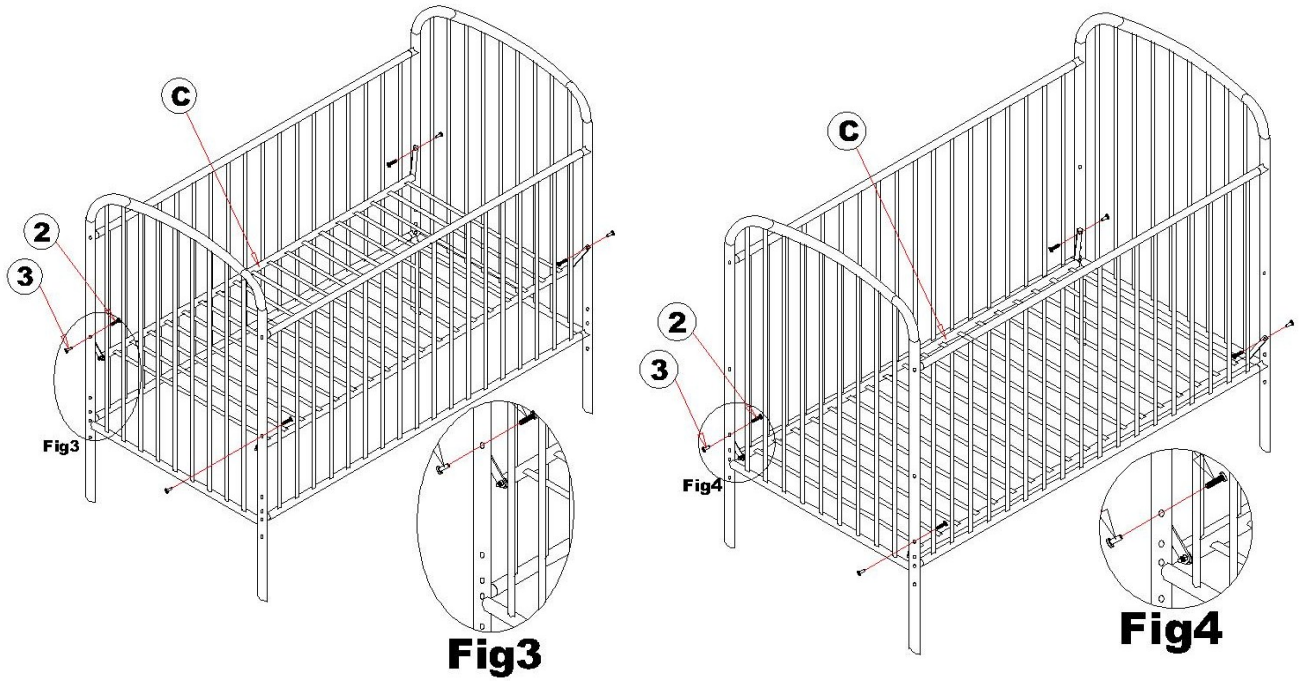
Repeat to assemble another Crib Guard Rail.



Step 3,

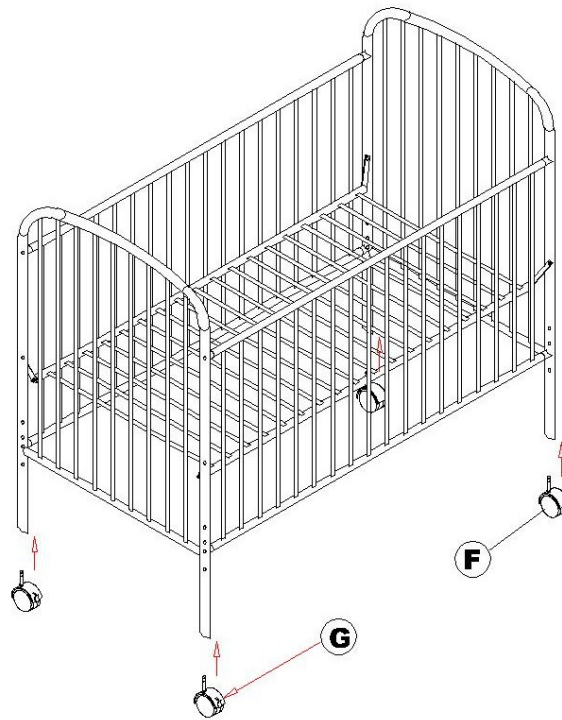
Assemble the Platform(C) to the Head Board (A).Use Bolt NO 2& Nut NO 3, please make sure bolt is from out side to assemble.

There is two heights of the platform can be assembled, see **Fig 3** & **Fig 4** to get your desired height.



Step 4,

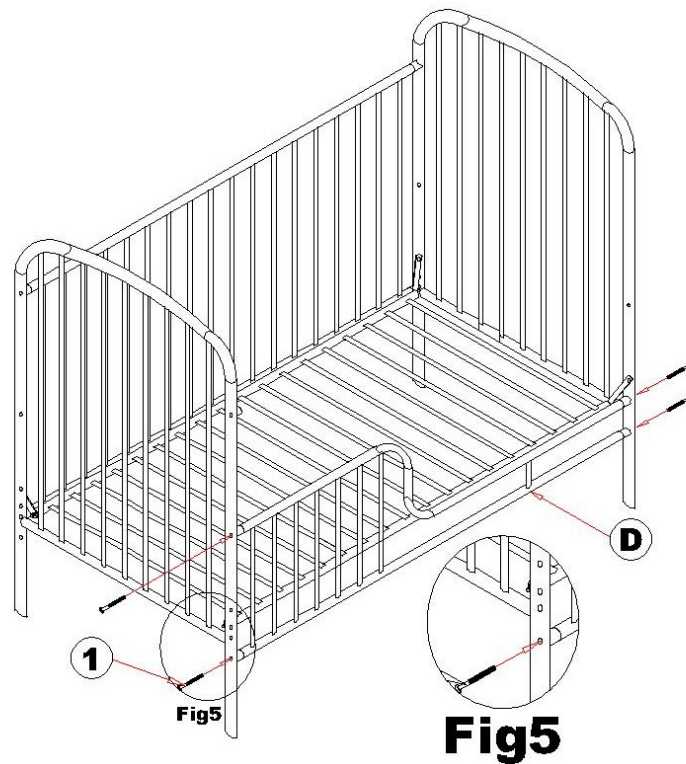
Insert the wheels (F) & (G) to the bottom of the Head boards.



Now the Crib is ready for Use

**Option Two, Toddler Bed Assembling**

Assemble Toddler Guardrail (D) to the Head board (A) instead of assembling the Crib Guardrail(B), use bolt NO 1 & Plastic connector E, please align the correct hole as shown on **Fig 5**. Make sure the platform is assembled on the lower height in the following step.



Insert the wheels and the Toddler Bed is ready for use.

**Please Make Sure you Read & totally understand the warnings on Page 2 before start to use this Item.**

**Thank you for your Purchase our Quality Products**