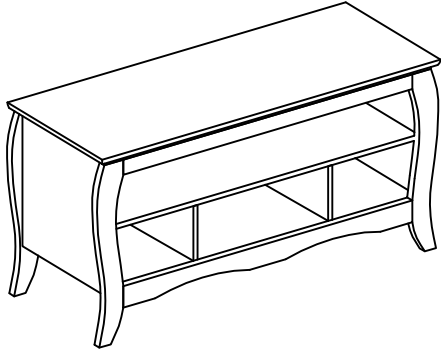
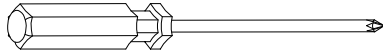
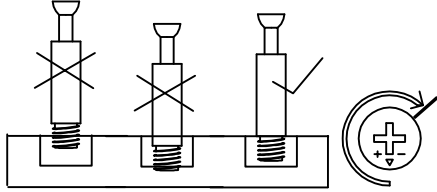
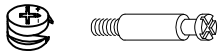
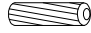

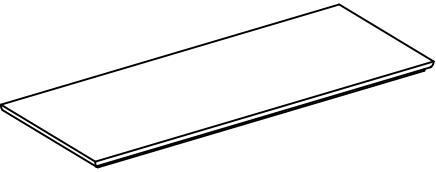
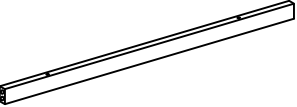


Assembly Instructions	Tools Required	Hardware Provided
<p style="text-align: center;">Style # E1040 TV Stand</p>  <p>It is recommended that this item should be assembled by two adults.</p>	 <p style="text-align: center;">Phillips screwdriver</p>  <p>Note: Please don't over tighten the cam screws . Assure the cam screw fits in the plastic threaded insert .Otherwise,the cam nut might not be able to catch the cam screws.</p>	 <p style="text-align: right;">B1 30SETS</p>  <p style="text-align: right;">B2 24PCS</p>  <p style="text-align: right;">B3 1PC</p> <p>Apply a little glue B3 into the wood dowel holes when inserting wood dowels.</p>

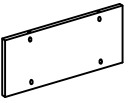
Wooden Parts



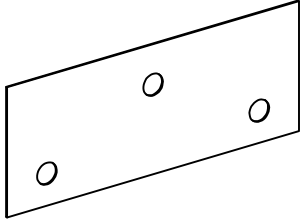
**A1 1PC
Top Panel**




A3 1PC Top Rail




A6 2PCS Divider



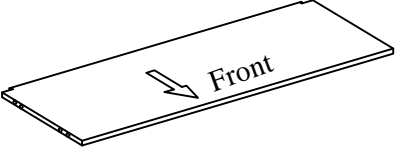
**A8 1PC
Back Panel**



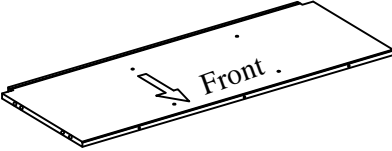
**A2(L&R)2PCS
Side Panel**




A4 1PC Front Apron



**A5 1PC
Middle Shelf**

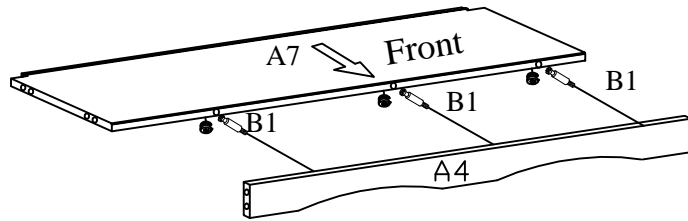


**A7 1PC
Bottom Panel**



**A9 1PC
Support Leg**

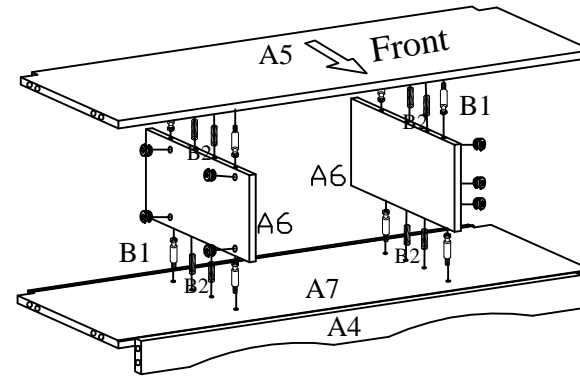
Step 1


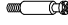



B1 :   3sets

Assemble bottom panel A7 to Front apron A4 using camlocks B1.

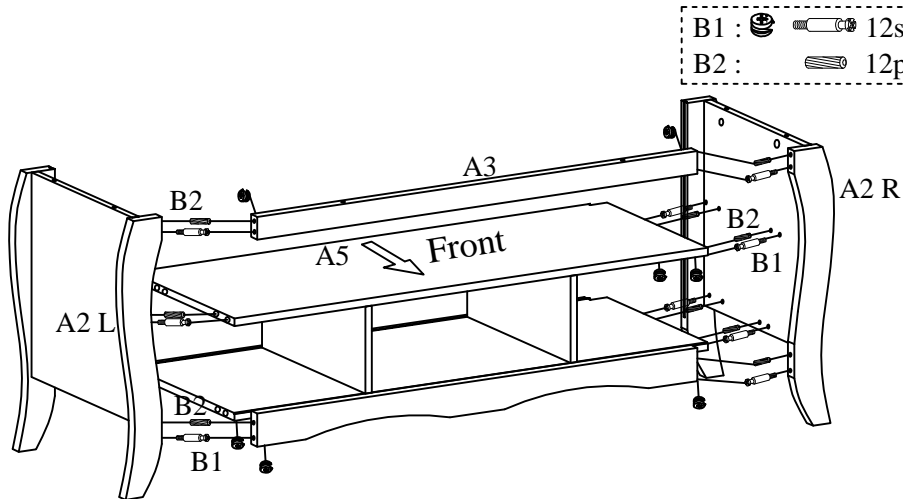
Step 2


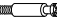



B1 :   8sets
B2 :  8pcs

Assemble dividers A6 to middle shelf A5 & bottom panel A7 using camlocks B1 & wood dowels B2.

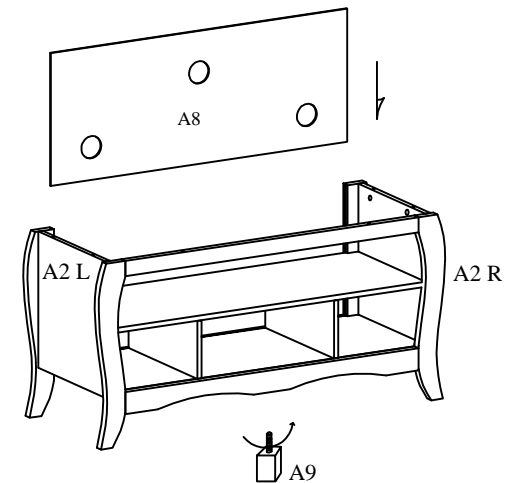
Step 3



B1 :   12sets
B2 :  12pcs

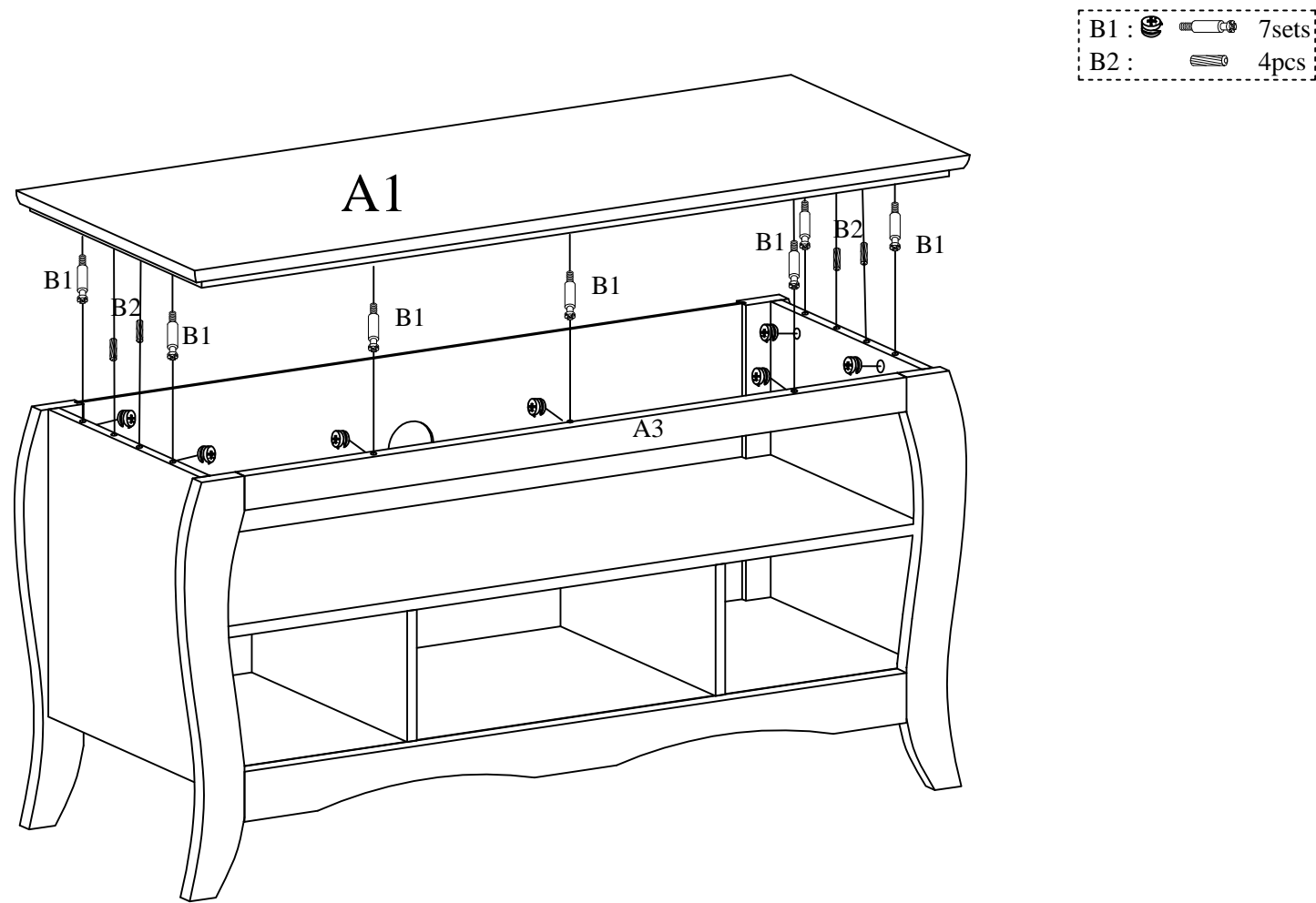
Assemble side panels A2(R&L) to bottom panel A7 and middle shelf A5 and Top rail A3 using wood dowels B2 and camlocks B1.

Step 4



Tighten the Support leg A9 to the bottom of bottom panel A7. Then sliding the back panel A8 into the grooves of side panels A2(L&R).

Step 5



Assemble the top panel A1 to side panels A2(L&R) and front rail A3 using camlocks B1 & wood dowels B2.