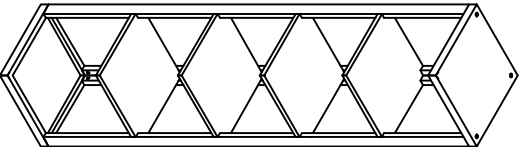



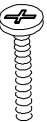



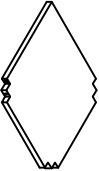
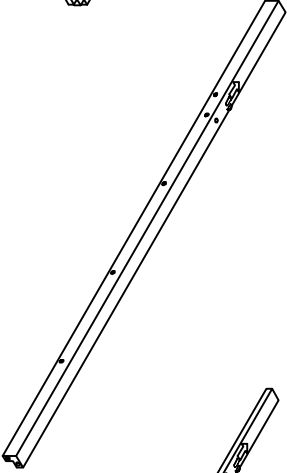
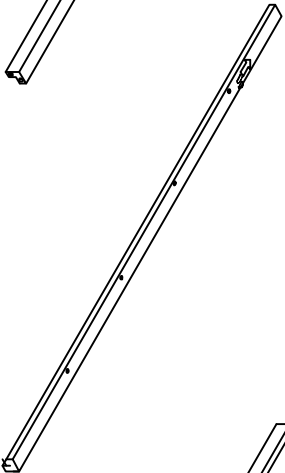
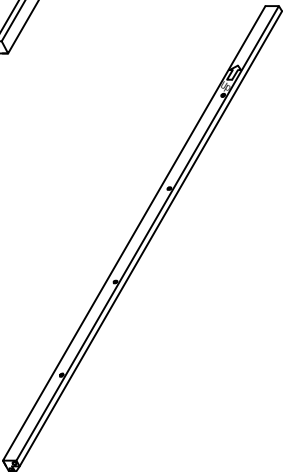
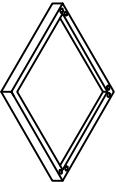
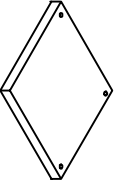
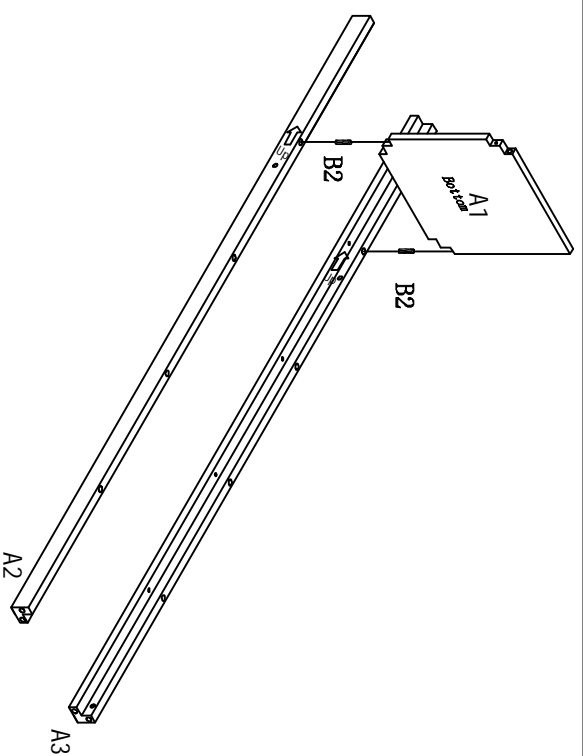
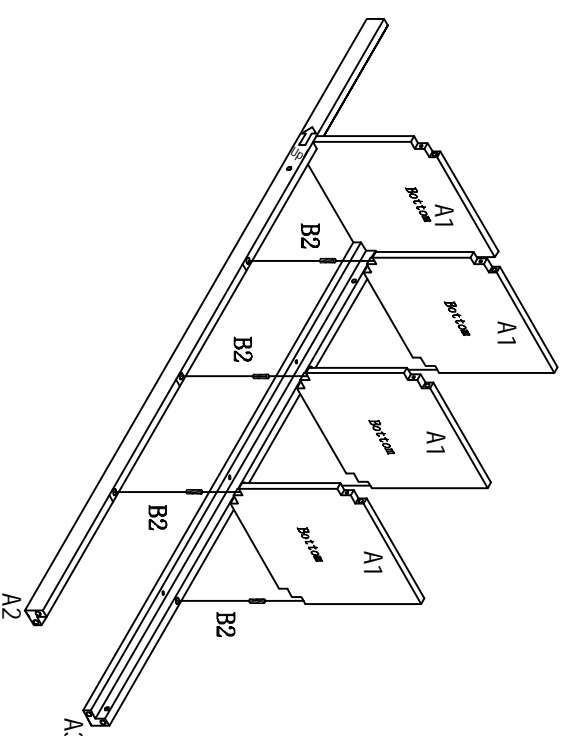


Assembly Instructions	Tools Required	Hardware Provided
<p style="text-align: center;">Style#BK08</p>  <p style="text-align: center;">It is recommended that this item should be assembled by two adults.</p>	<p style="text-align: center;">Phillips screwdriver</p> 	<p style="text-align: center;">B1  12PCS</p> <p style="text-align: center;">B2  18PCS</p> <p style="text-align: center;">B3   6SETS</p> <p style="text-align: center;">B4   2SETS</p>
Furniture Parts		
 <p>A1 4PCS Shelf</p>  <p>A2 1PC Corner Leg</p>	 <p>A3 1PC Right Leg</p>  <p>A4 1PC Left Leg</p>	 <p>A5 1PC Top Panel</p>  <p>A6 1PC Bottom Panel</p>

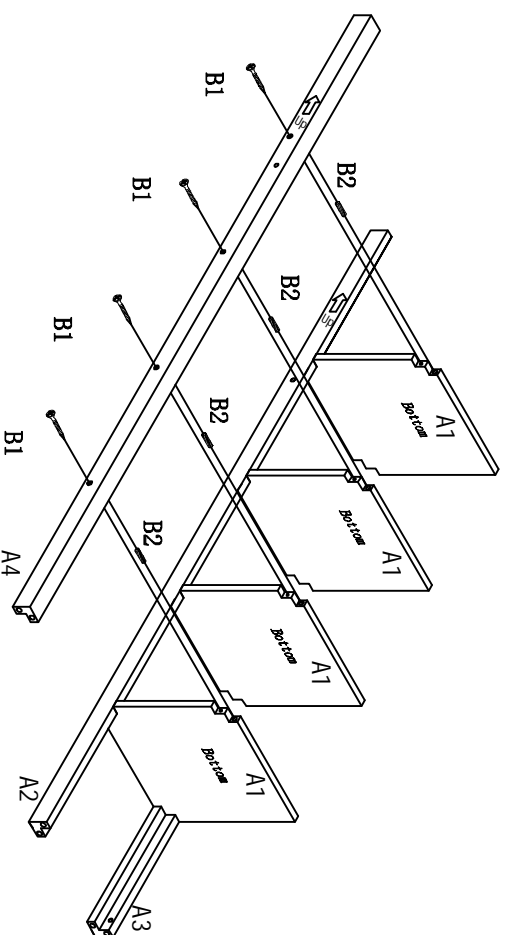
Step 1



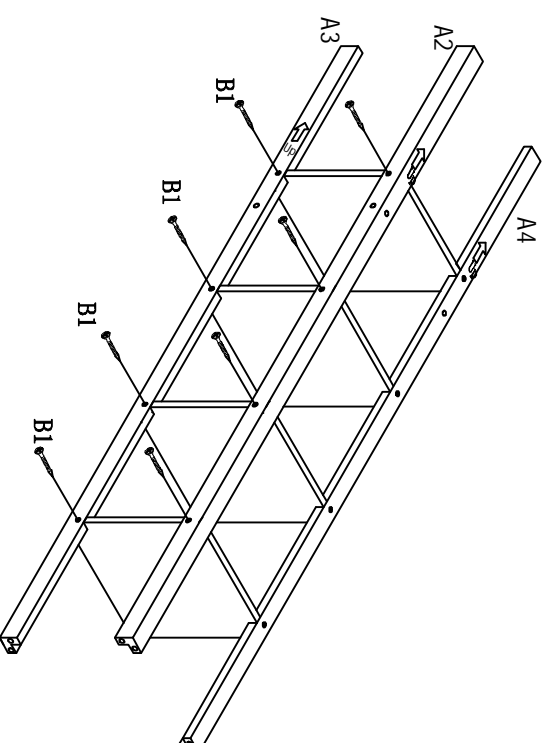
Step 2



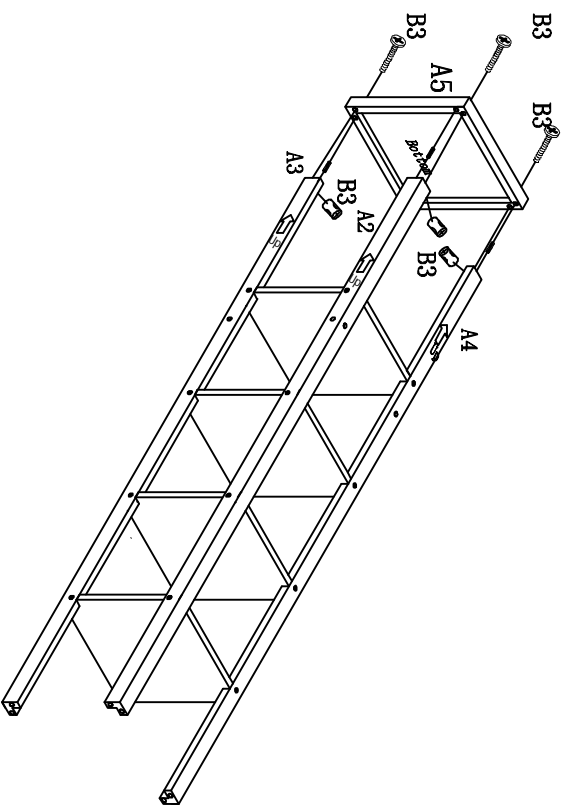
Step 3



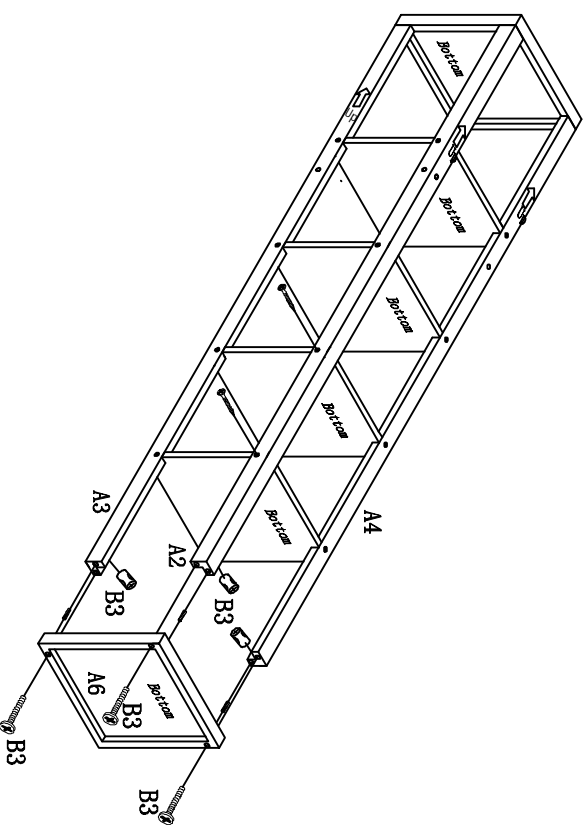
Step 4



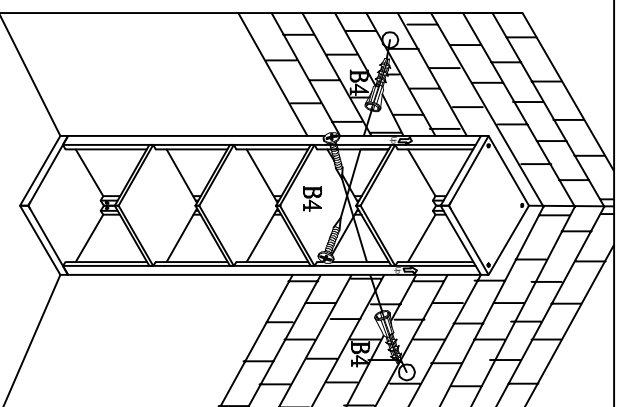
Step 5



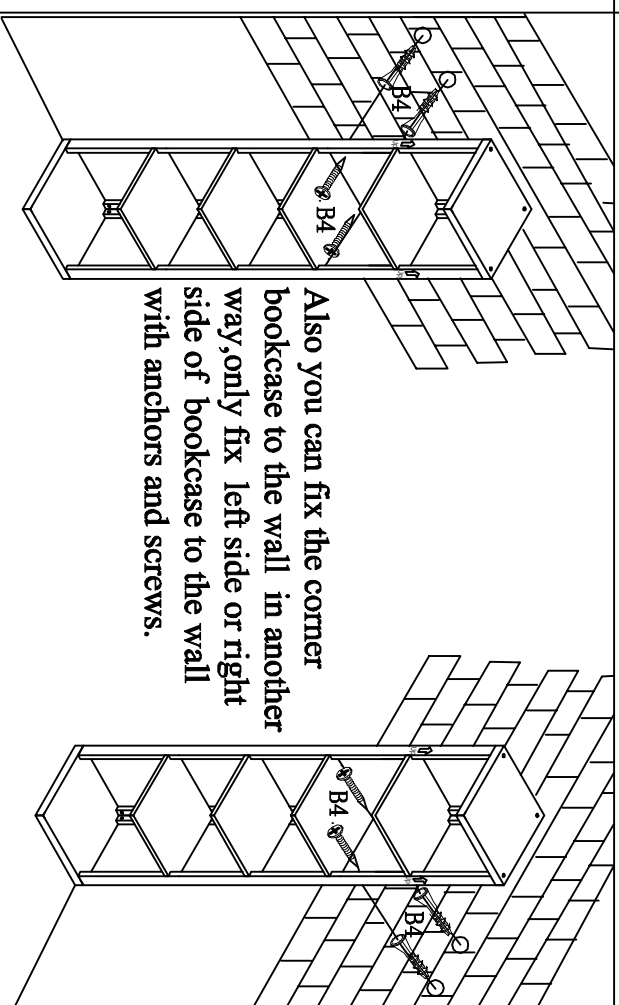
Step 6



Step 7



Step 8



For you safety, please fix the corner bookcase to the wall with anchors and screws.

Also you can fix the corner bookcase to the wall in another way, only fix left side or right side of bookcase to the wall with anchors and screws.