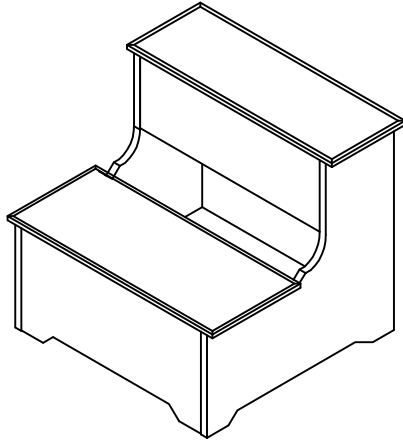
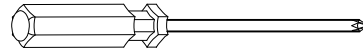


# Assembly Instruction

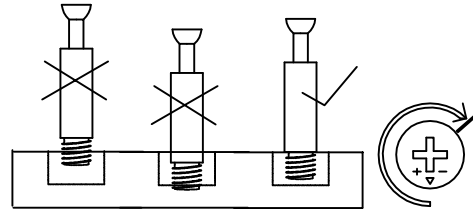
Style#R1023&R1024



## Tools Required



Phillips screwdriver



Note: Please don't over tighten all the cam screws. Assure the cam screw just fit in the plastic threaded insert. Otherwise, the cam nut might not be able to catch the cam screws.

## Hardware Provided

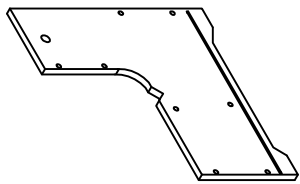


B1 19SETS

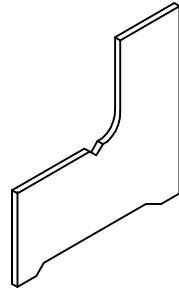


B2 4PCS

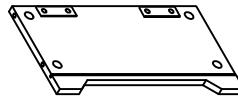
## Wooden Parts



A1 1PC



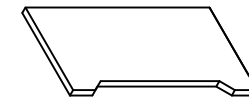
A2 1PC



A3 1PCS



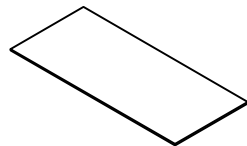
A4 1PC



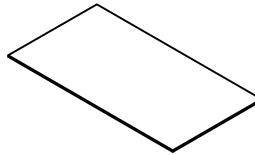
A5 1PC



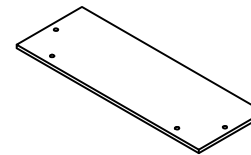
A6 1PCS



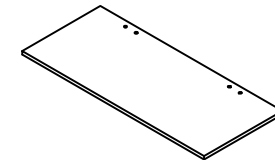
A7 1PC



A8 1PC

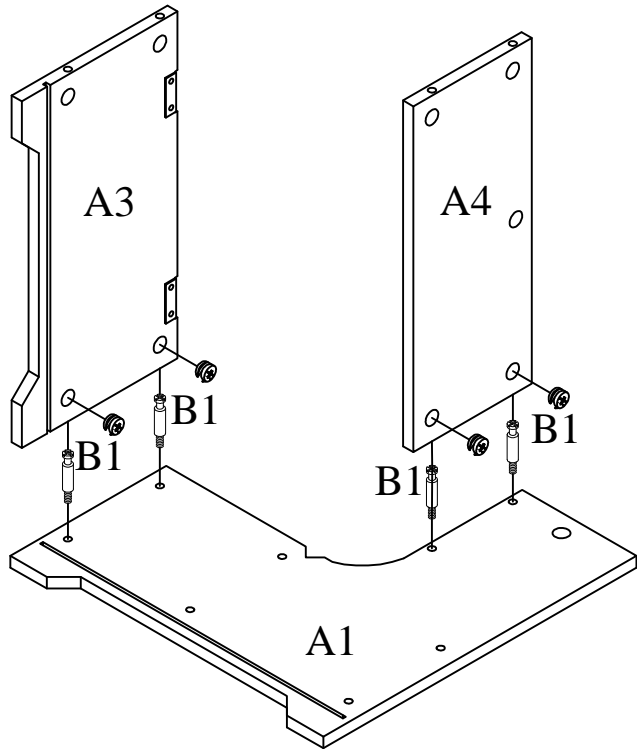


A9 1PCS

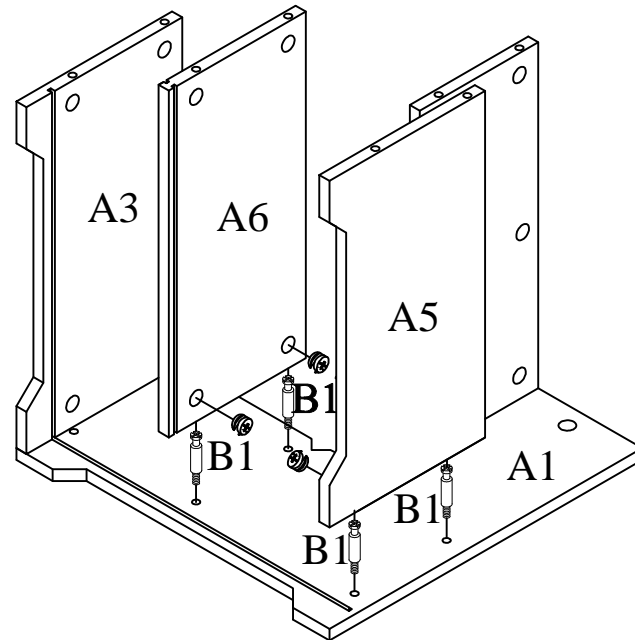


A10 1PC

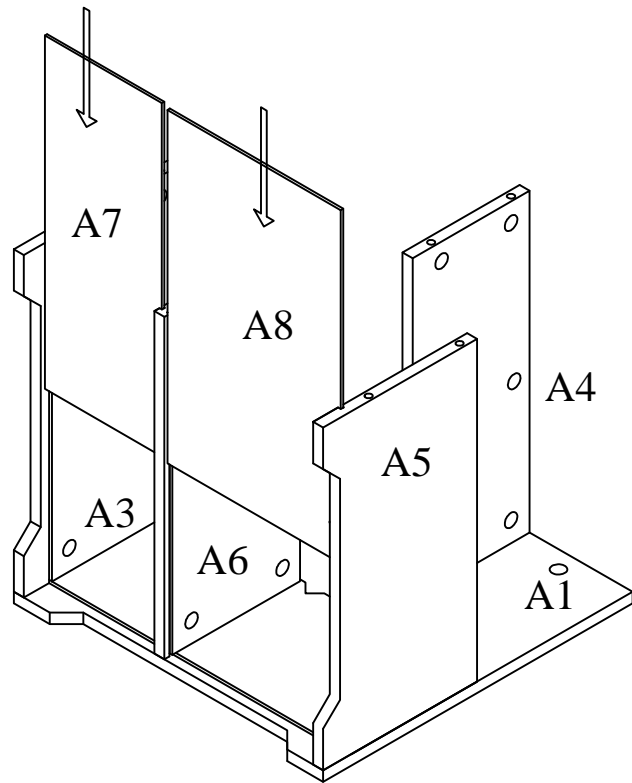
### Step 1



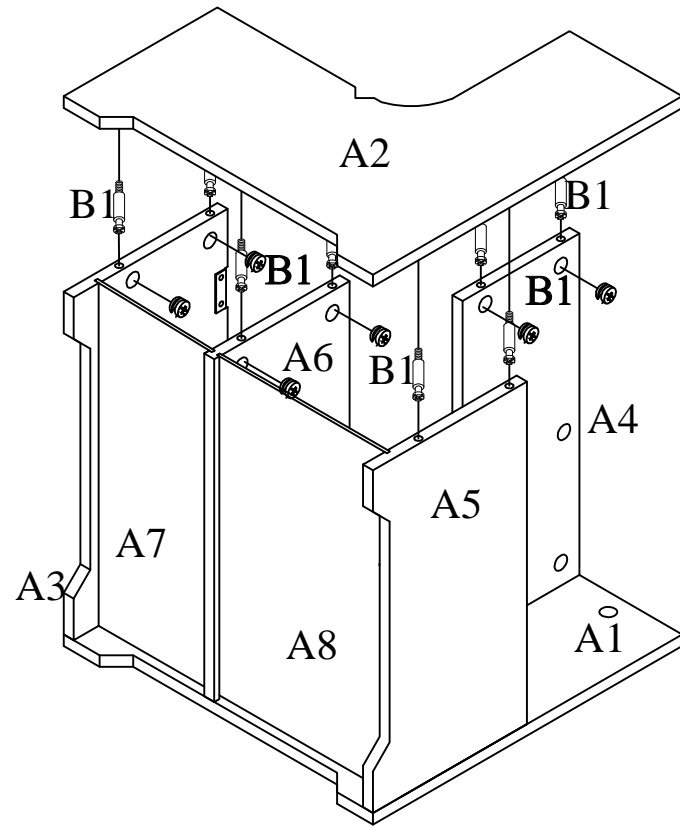
### Step 2



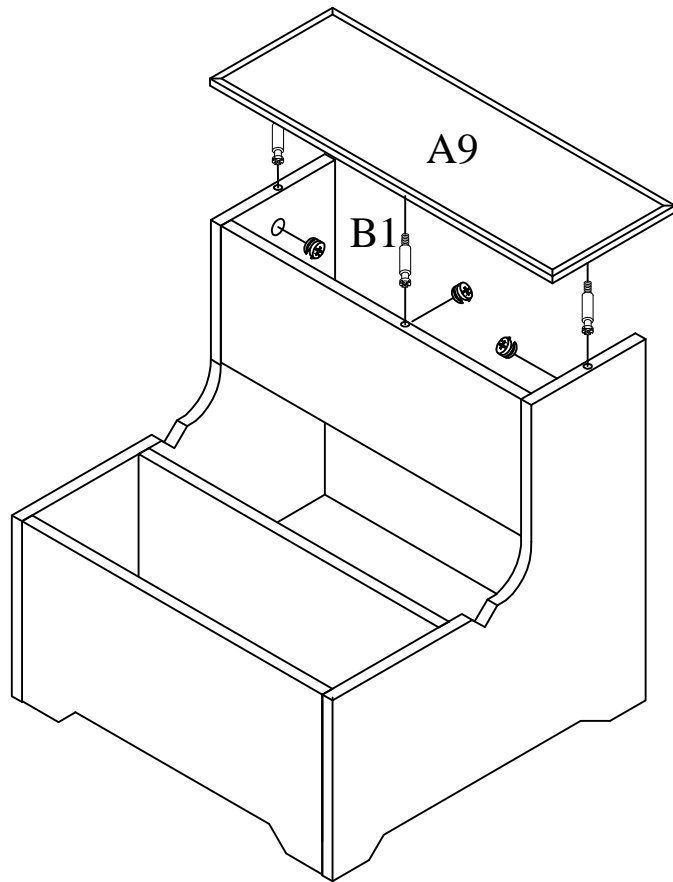
### Step 3



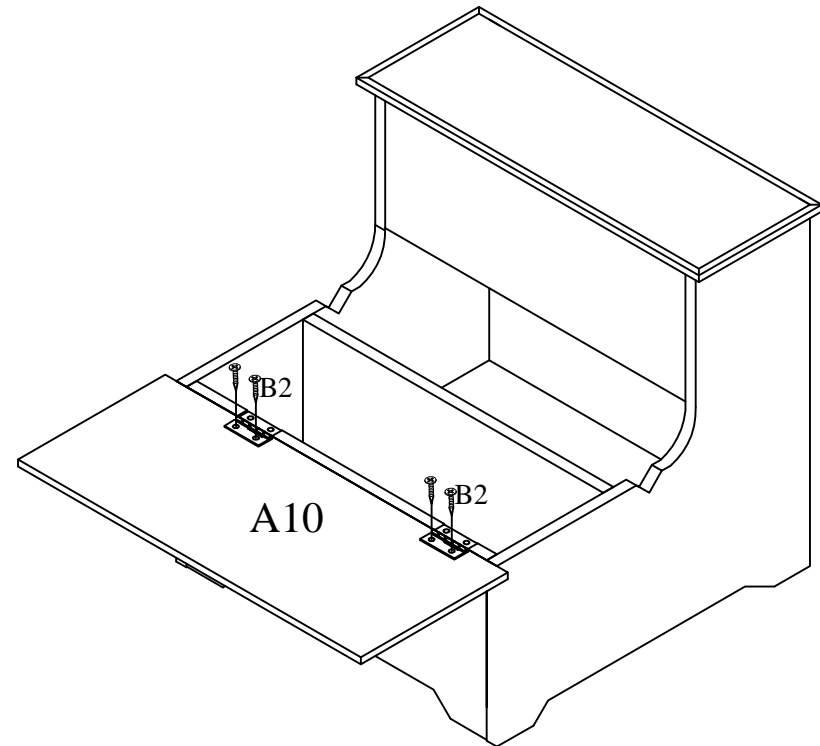
### Step 4



### Step 5



### Step 6



Warning: The Maximum Load of the top Panel is 200lbs.